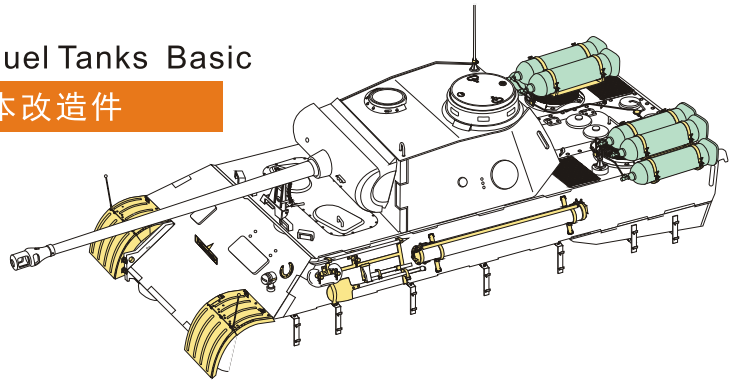


1/35 MILITARY MINIATURE VEHICLE UPGRADE SERIES PE351141

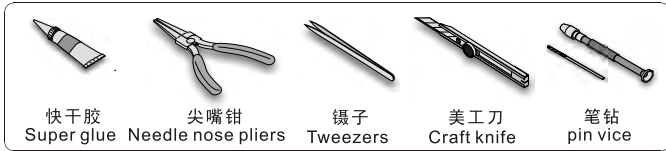
WWII German Panther D w/"Stadtgas" Fuel Tanks Basic

二战德军豹D型坦克煤气罐燃料教导型基本改造件

[For TAMIYA 35345]



■ 推荐使用工具 RECOMMENDED TOOLS



- 安装
install
- 折叠
bend
- A1**

改造件零件编号
PE/resin part number
- B12**

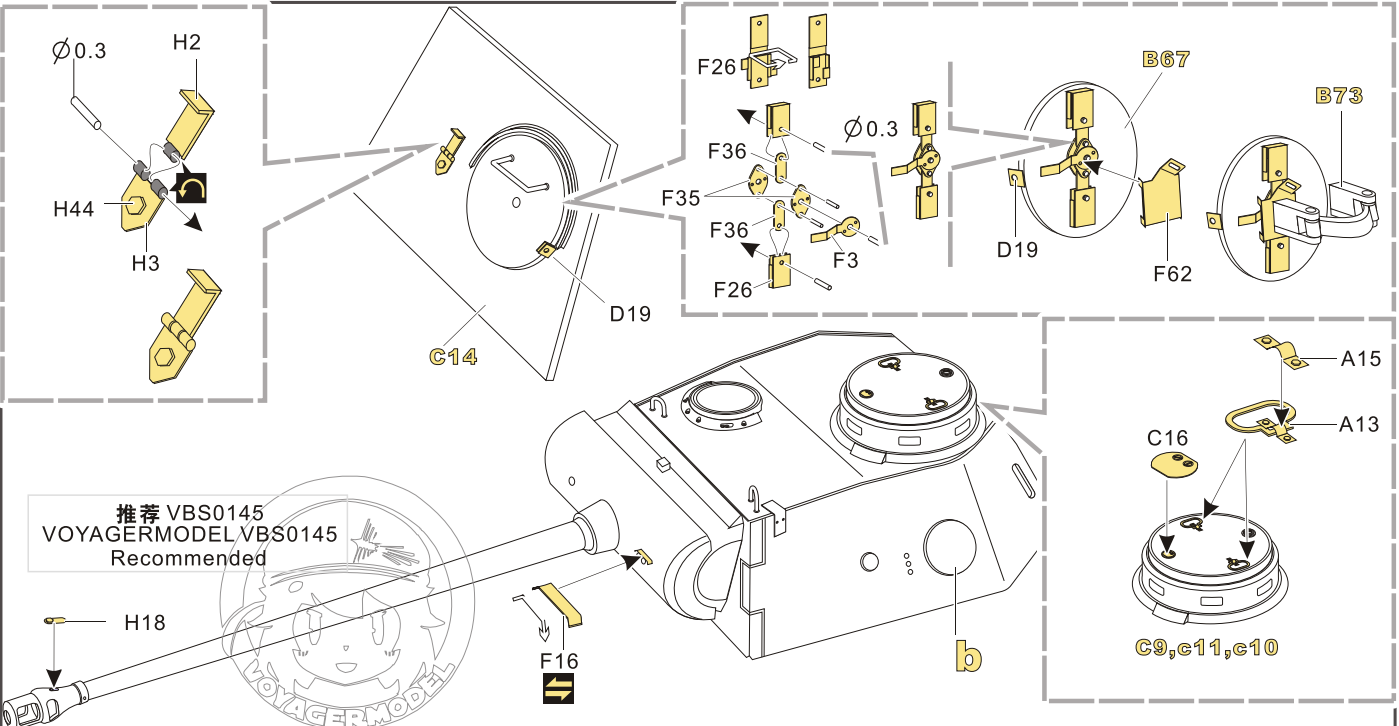
原零件编号
kit part number
- C22**

被替换的原零件编号
replaced kit part number
- 另一侧相同制作
repeat on opposite side
- 切除
remove
- 打磨
grind off
- 弧度卷曲
radial bending
- x2**

制作若干组
multiple assembly
- 选择安装
alternative
- 钻孔
drill
- 用胶棒制作
make from plastic rod

用尖端在凹槽处冲压
use penpoint to press on the dent

蚀刻片零件内侧面向上
Put the part upside down
 用笔尖在凹槽处刺
Use penpoint to press on the dent



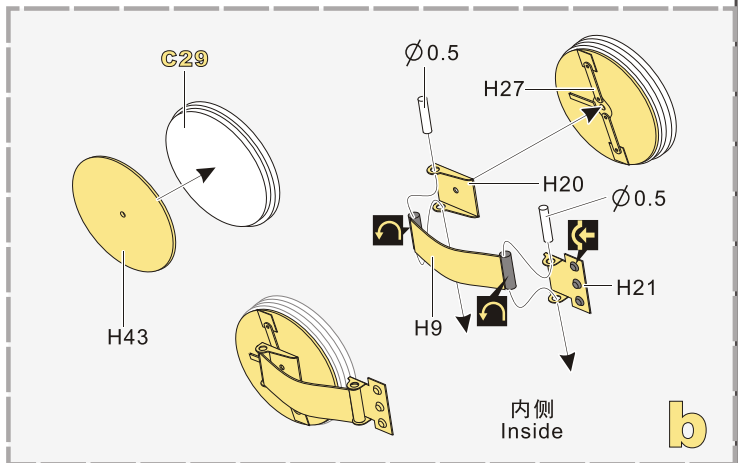
[Http://www.voyagermodel.com/productdetails.asp?itemid=PE351141](http://www.voyagermodel.com/productdetails.asp?itemid=PE351141)



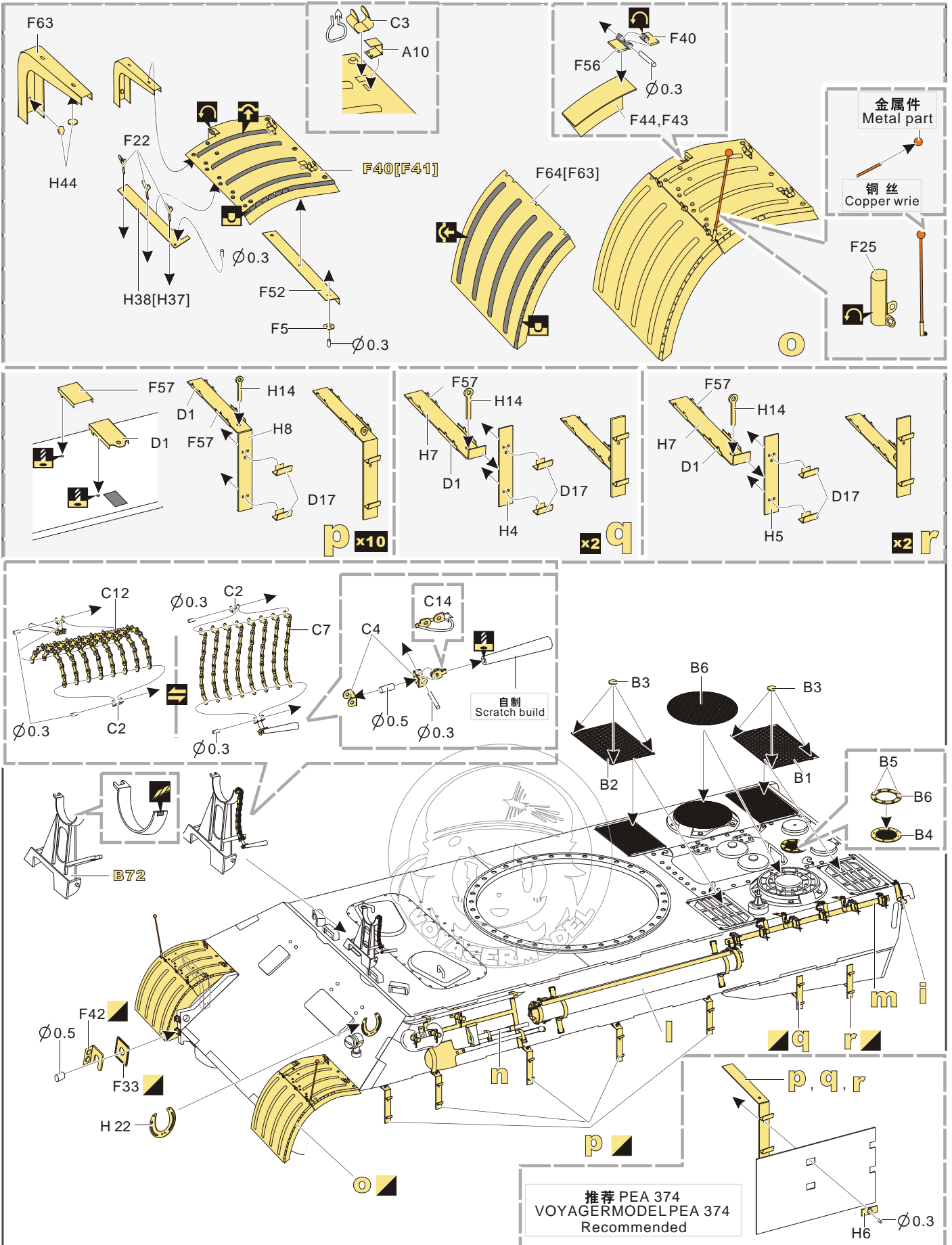
**VOYAGER
MODEL**



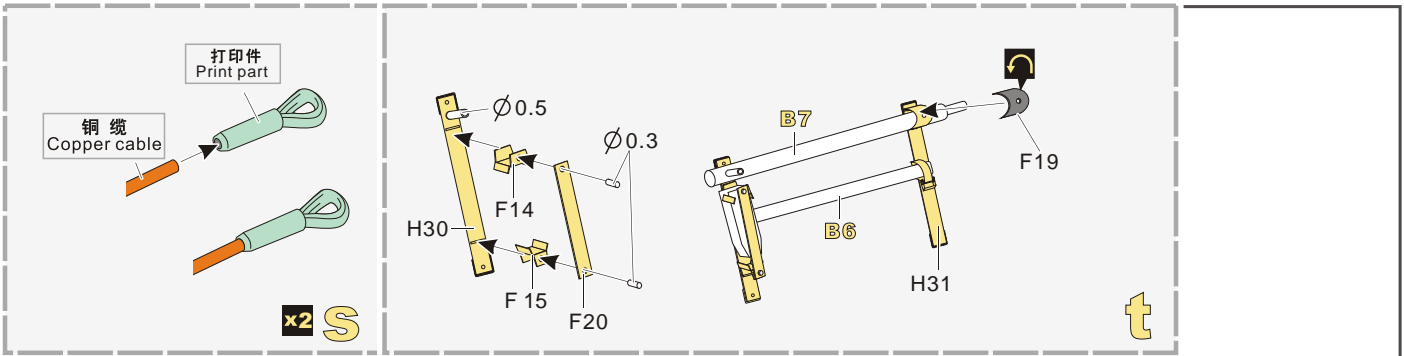
更多PE351141样品照片参考请扫一扫
MORE PICTUER OF PE 351141
REFERENCE SCAN HERE



1/35 MILITARY MINIATURE VEHICLE UPGRADE SERIES PE351141

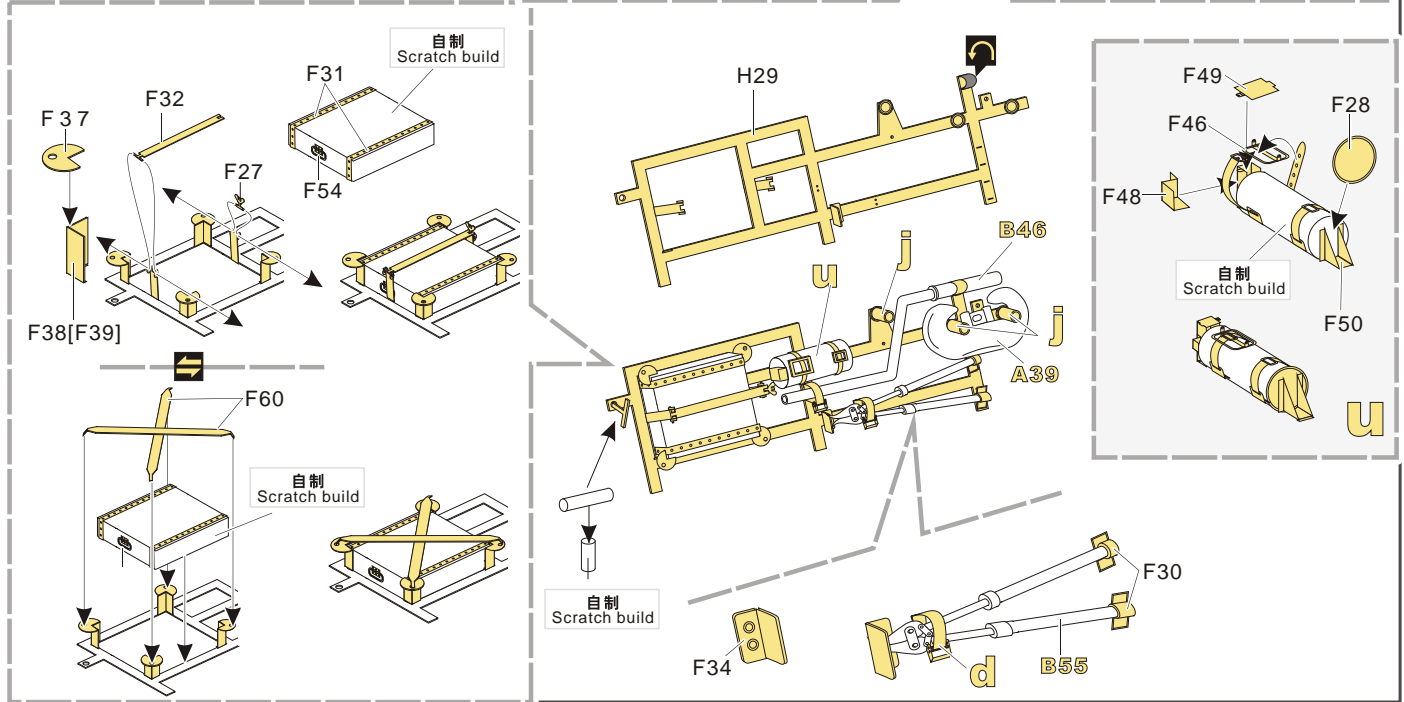
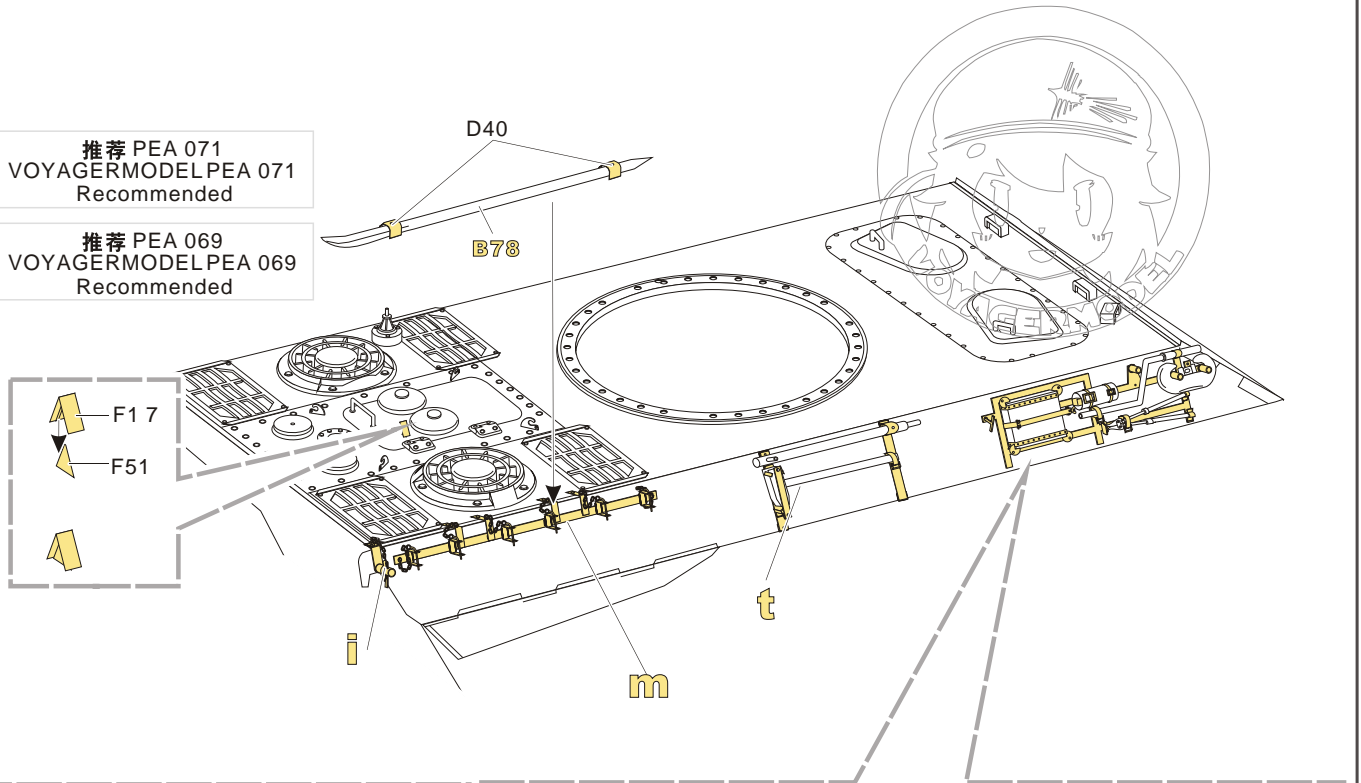


1/35 MILITARY MINIATURE VEHICLE UPGRADE SERIES PE351141

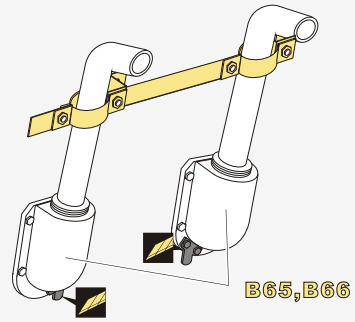
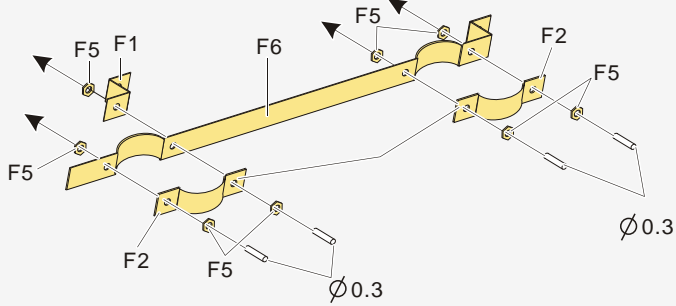


推荐 PEA 071
VOYAGERMODEL PEA 071
Recommended

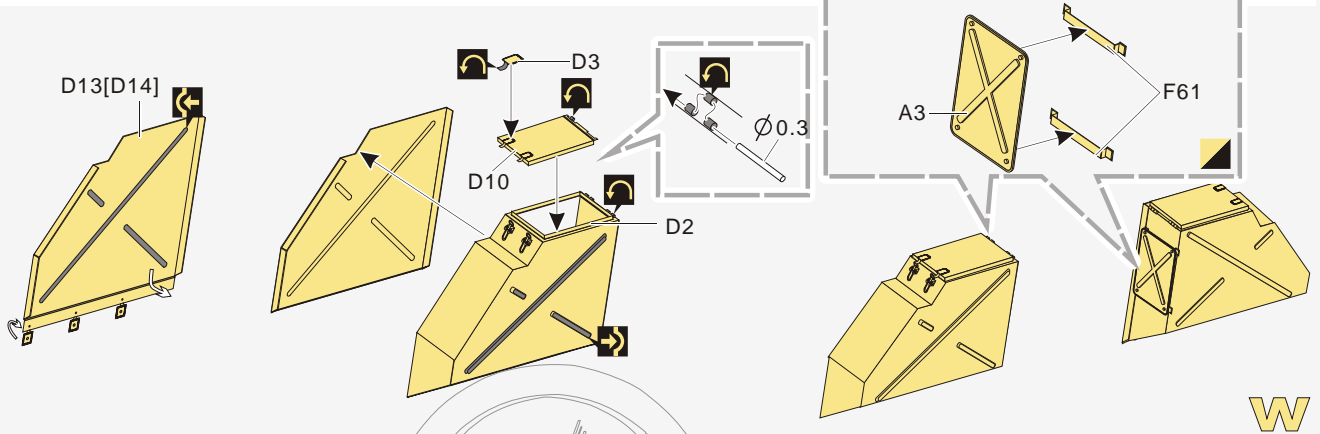
推荐 PEA 069
VOYAGERMODEL PEA 069
Recommended



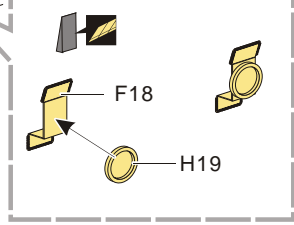
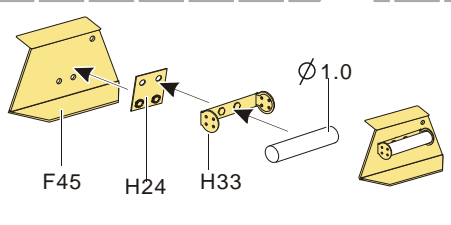
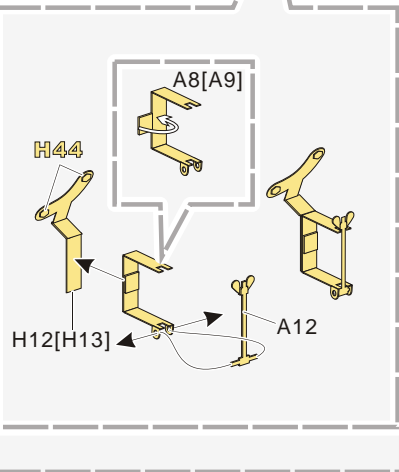
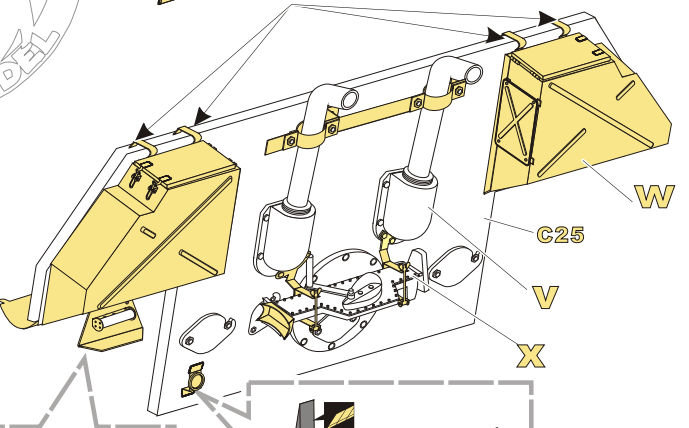
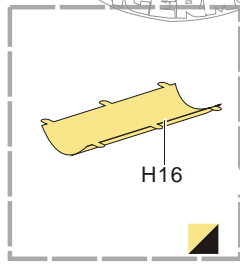
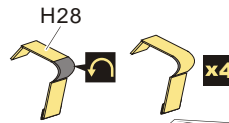
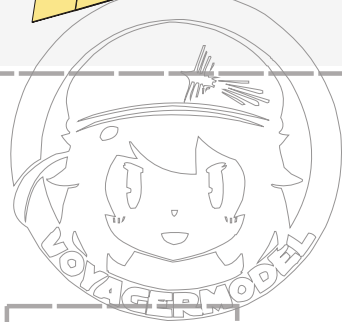
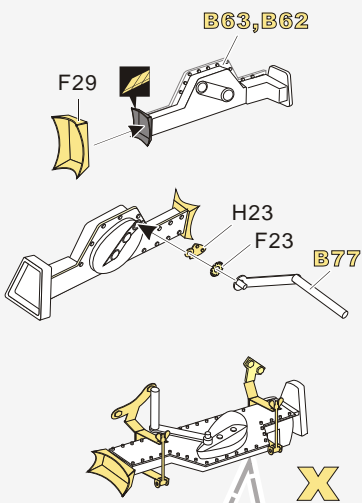
1/35 MILITARY MINIATURE VEHICLE UPGRADE SERIES PE351141



V



W

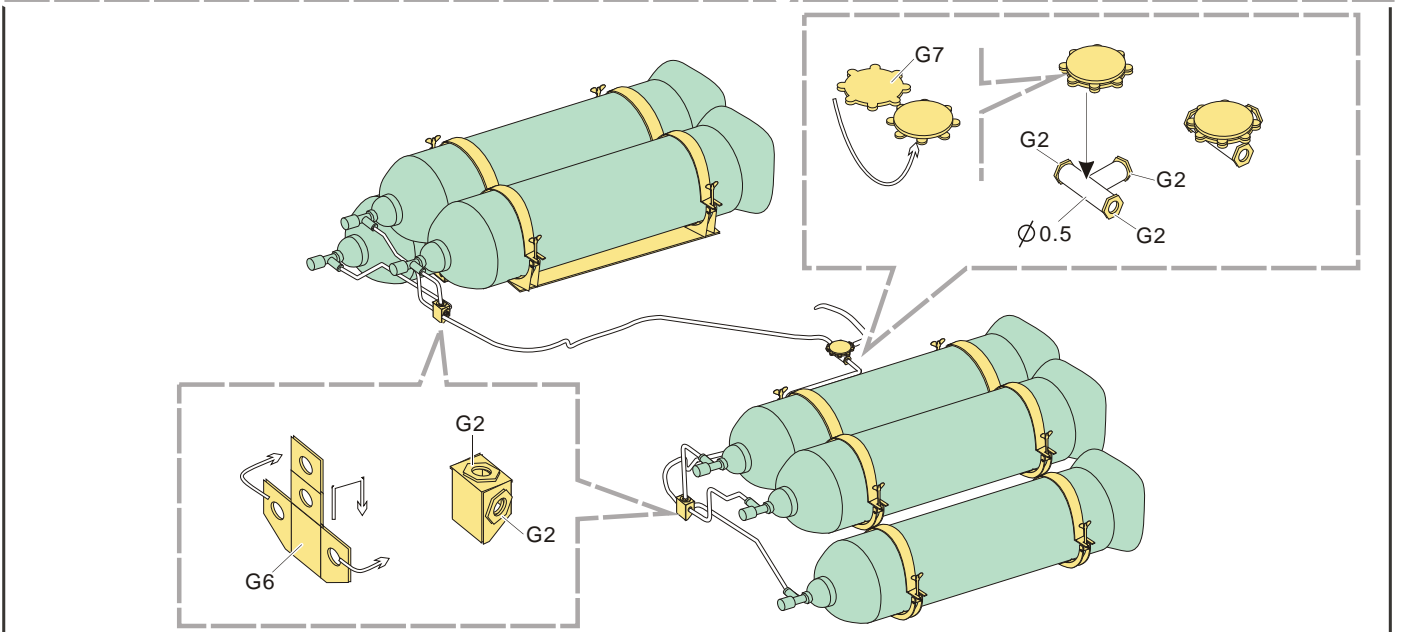
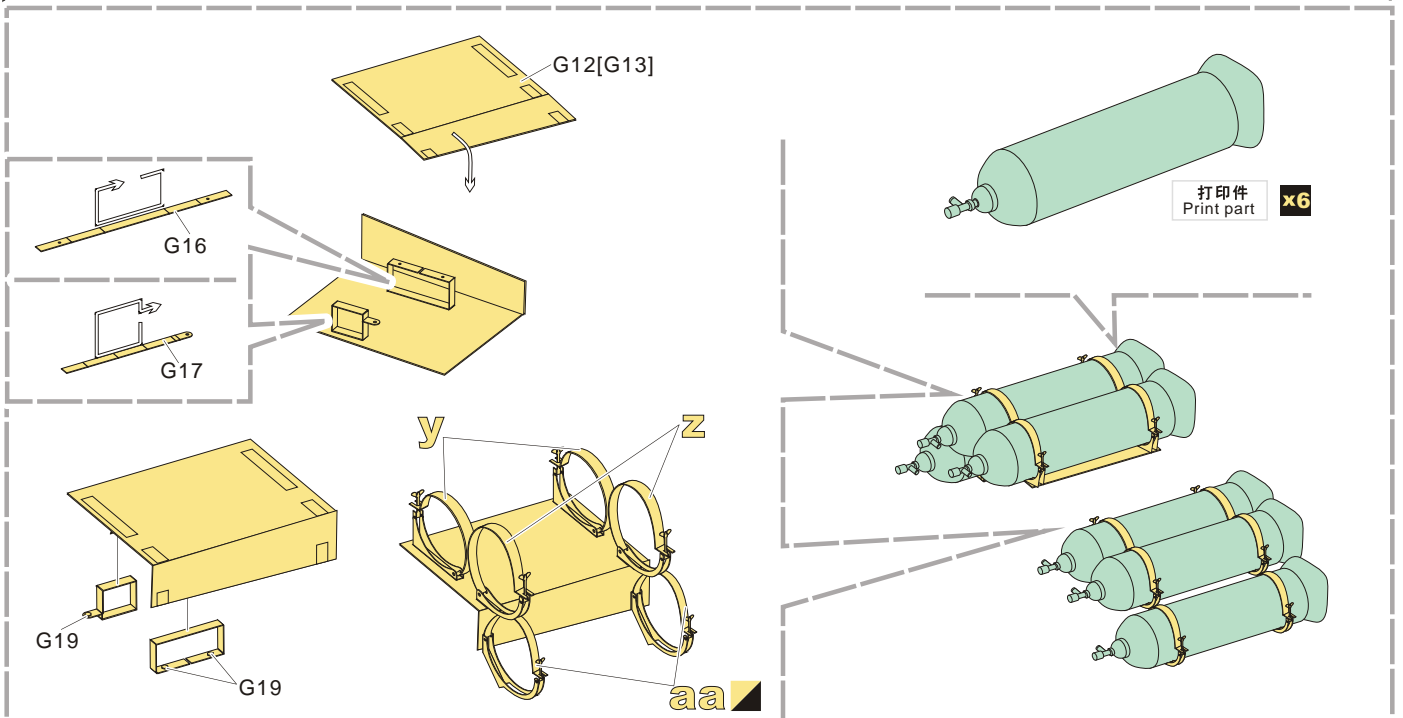
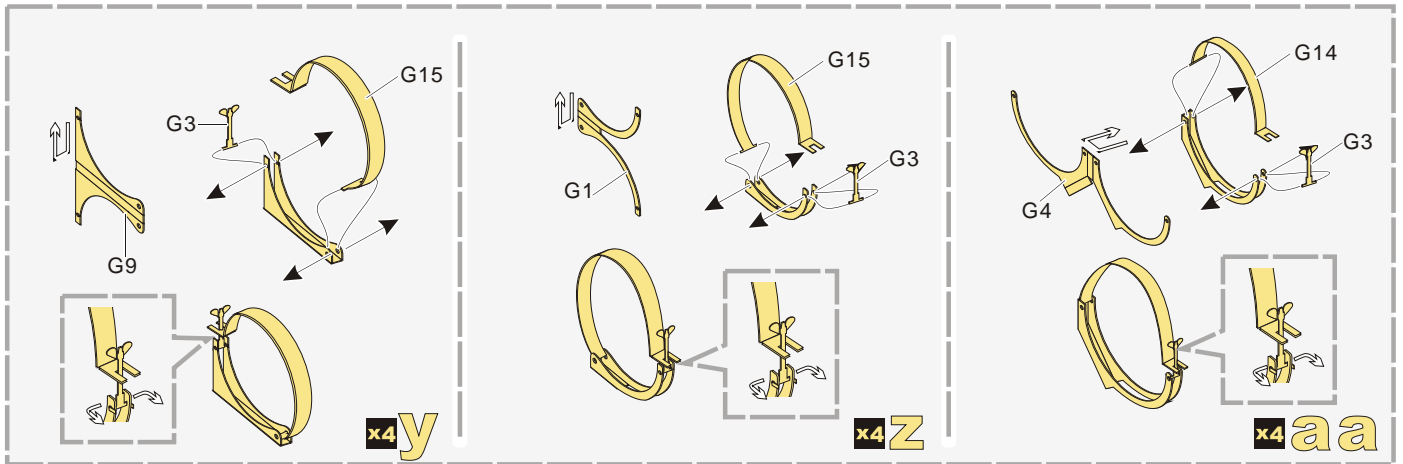


VOYAGERMODEL® 无微不至 极尽享受
The Best Upgrade Solution

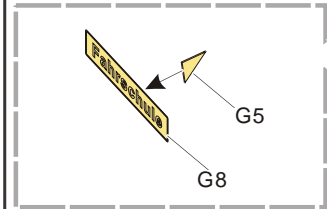
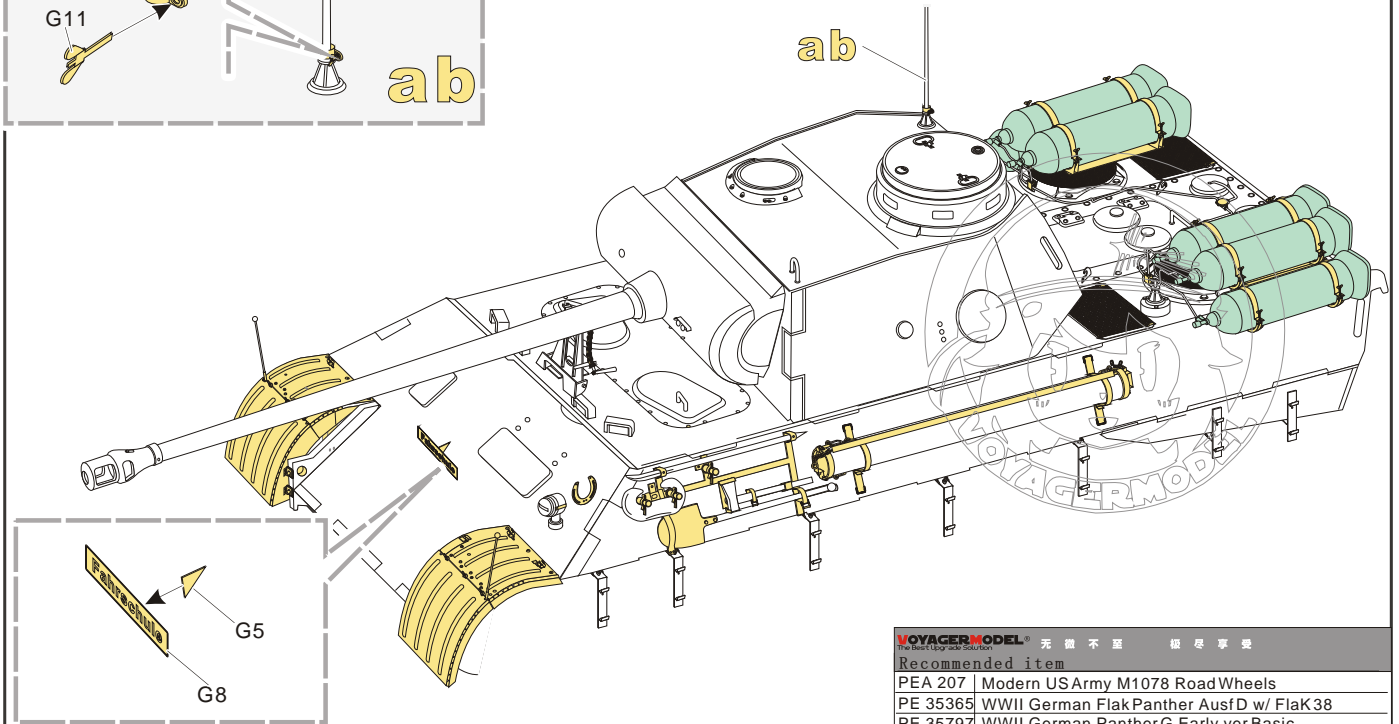
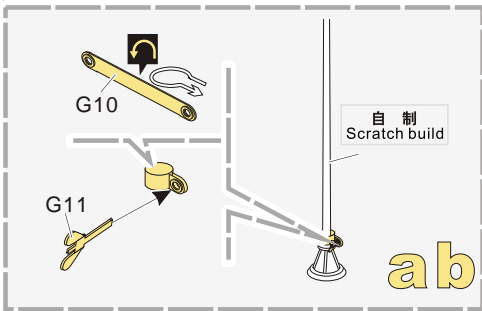
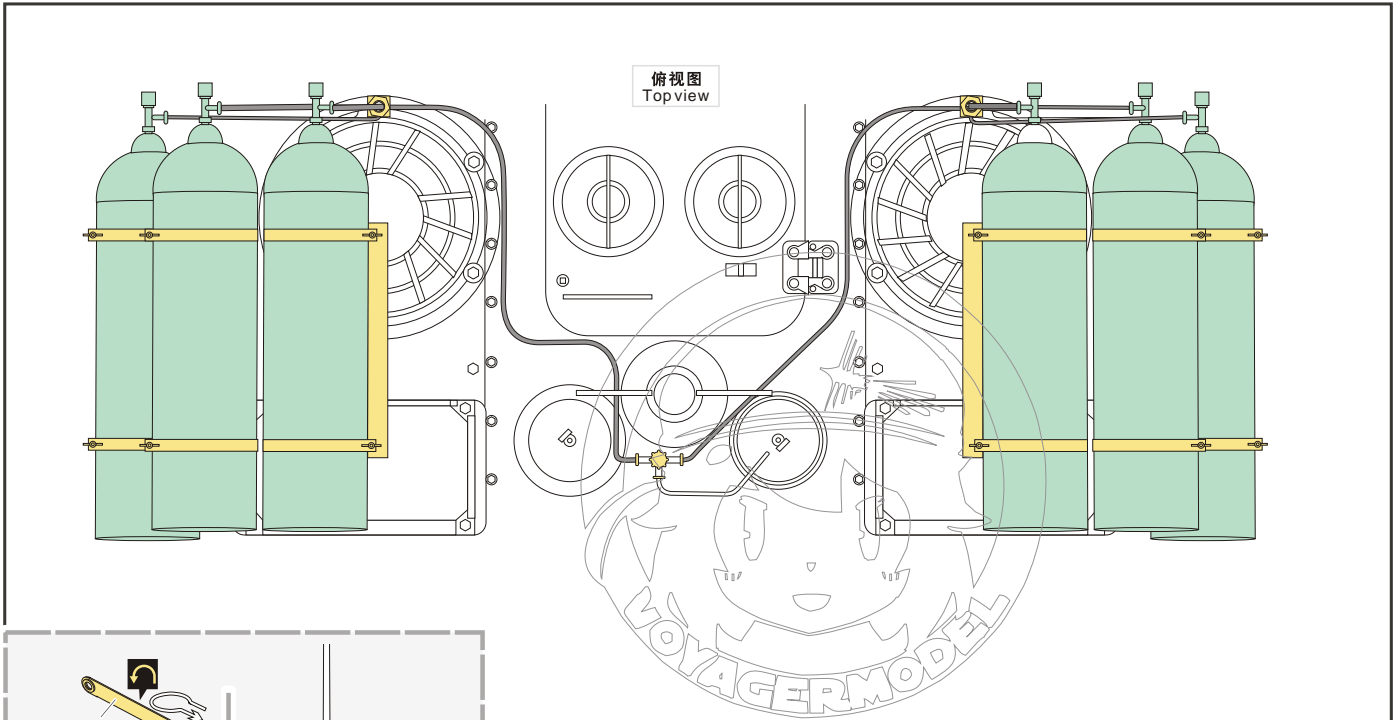
Recommended item

VBS0143	WWII German Panther D Barrel
PEA 069	WWII German Panther D Anti Aircraft Armor
PEA 070	WWII German Panther/Jagdpanther Cleaning rod bin
PEA 071	WWII German Panther D in Kursk model
PEA 374	WWII German Panther A/D Schurzen
VBS0145	WWII German Panther D Barrel

1/35 MILITARY MINIATURE VEHICLE UPGRADE SERIES PE351141



1/35 MILITARY MINIATURE VEHICLE UPGRADE SERIES PE351141



VOYAGERMODEL® 无微不至 极致享受
The Best Upgrade Solution

Recommended item

PE 35870	WWII German Panther II Prototype Design Plan basic
PE 35517	WWII German BergePanther Ausf. D w/37mm FlaK37 (Gun barrel Includ)
VBS 0145	WWII German KwK42L/70 Gun Barrel for Panther D
PEA 374	WWII German Panther A/D Schurzen
PEA 070	WWII German Panther/Jagdpanther Cleaning rod bin
PEA 408	WWII German Panther D AntiAircraft Armor

VOYAGERMODEL® 无微不至 极致享受
The Best Upgrade Solution

Recommended item

PEA 207	Modern US Army M1078 RoadWheels
PE 35365	WWII German Flak Panther Ausf D w/ FlaK38
PE 35797	WWII German Panther G Early ver.Basic
PE 35798	WWII German Panther G Later ver.Basic
PE 35796	WWII German Panther D Basic
PE 35804	WWII German Panther D V2 Basic
PE 35083	WWII German Panther D
PE 35084	WWII German Panther A
PE 35288	WWII German Panther F Basic
PE 35882	WWII German Panther G Early ver.Basic
PE 35883	WWII German Panther G Later ver.Basic
PE 35664	WWII Jagdpanther G2 late Version (Gunbarrel include)
PE 35927	WWII German Panther A Late Version
PE 35733	WWII German Panther D Basic
PE 35741	WWII German Panther D Basic
PE 35867	WWII German Jagdpanther II tank destroyer basic
PE 35869	WWII US M40SPG Basic (Antenna base include)