

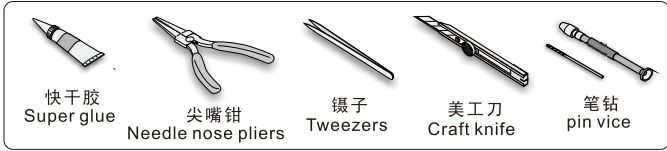
1/35 MILITARY MINIATURE VEHICLE UPGRADE SERIES PE35301

# WWII German Sd.Kfz.7/1 Part2 (20mm Flakverling38)

二战德军Sd.Kfz.7/1装防空车part2(20MM四联装防空炮改造件)

[For DRAGON Kit]

## 推荐使用工具 RECOMMENDED TOOLS



- 安装 install
- 折叠 bend
- A1** 改造件零件编号 PE/resin part number
- B12** 原零件编号 kit part number
- C22** 被替换的原零件编号 replaced kit part number
- 弧度卷曲 radial bending
- x2** 制作若干组 multiple assembly
- 注意 caution
- 钻孔 drill
- 另一侧相同制作 repeat on opposite side
- 选择安装 alternative
- 切除 remove

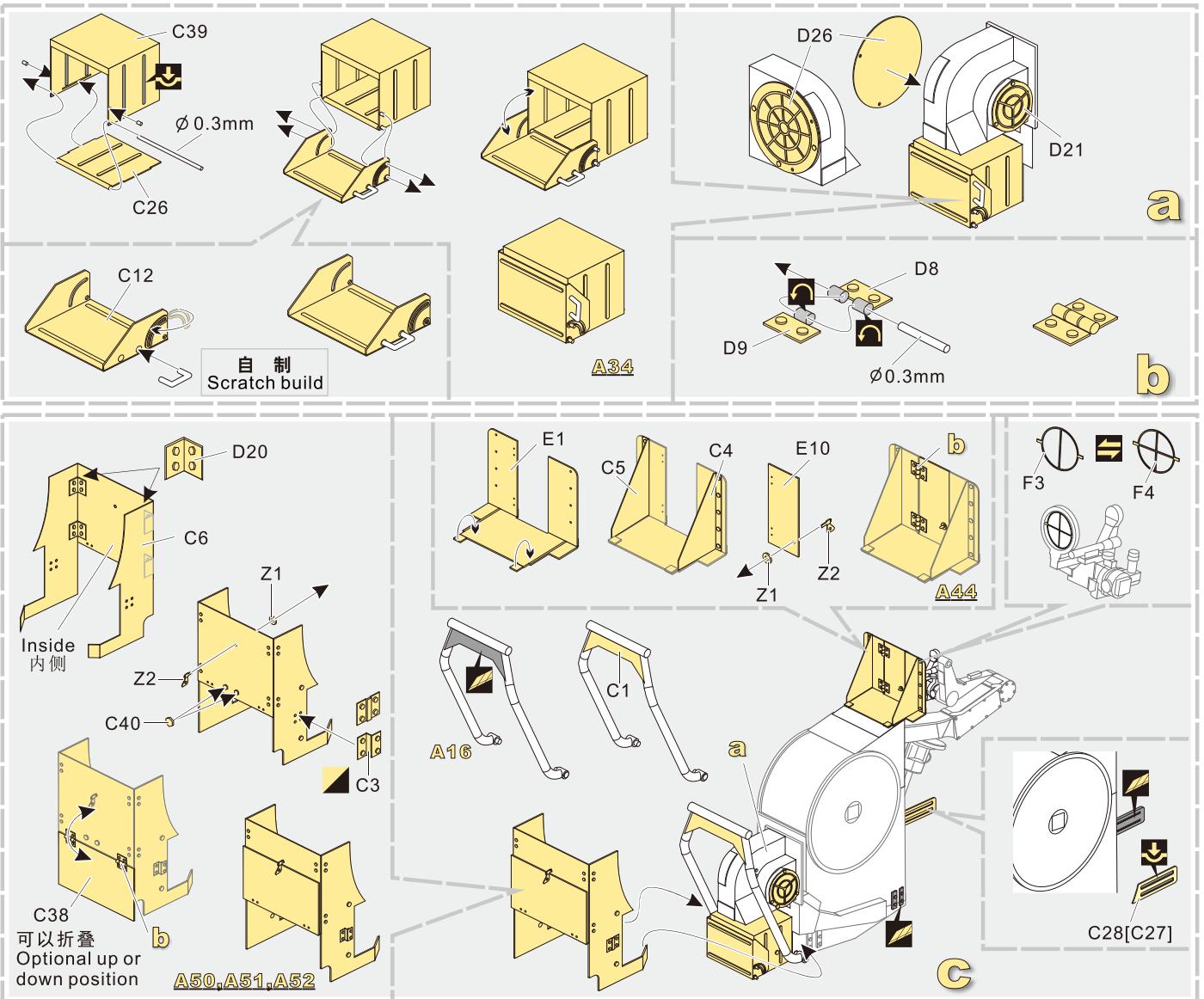
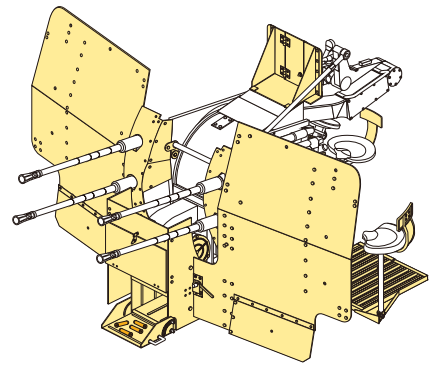
用尖端在凹槽处冲压 use penpoint to press on the dent

蚀刻片零件内侧面朝上 Put the part upside down

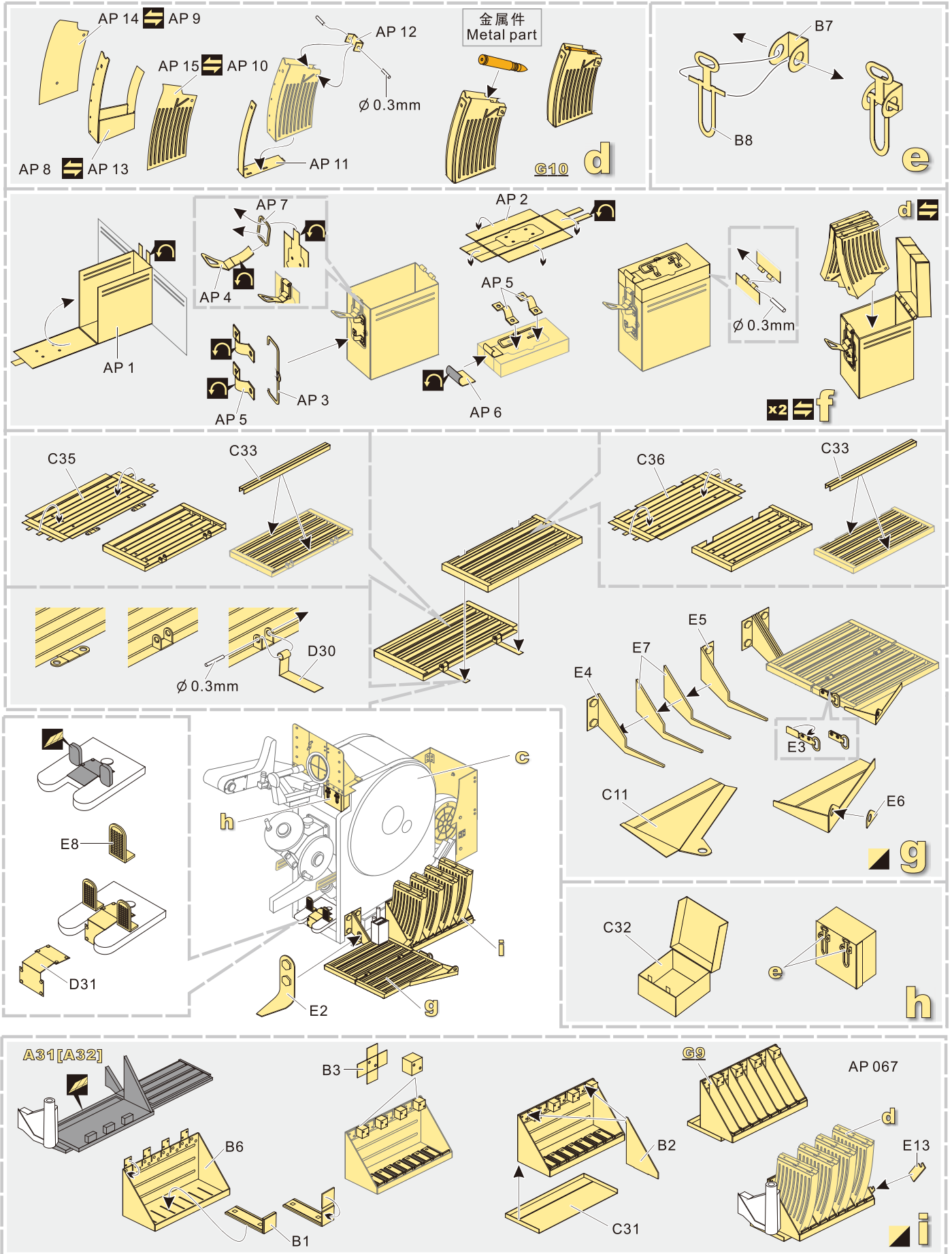
用笔尖在凹槽处刺 Use penpoint to press on the dent

### Acknowledgement

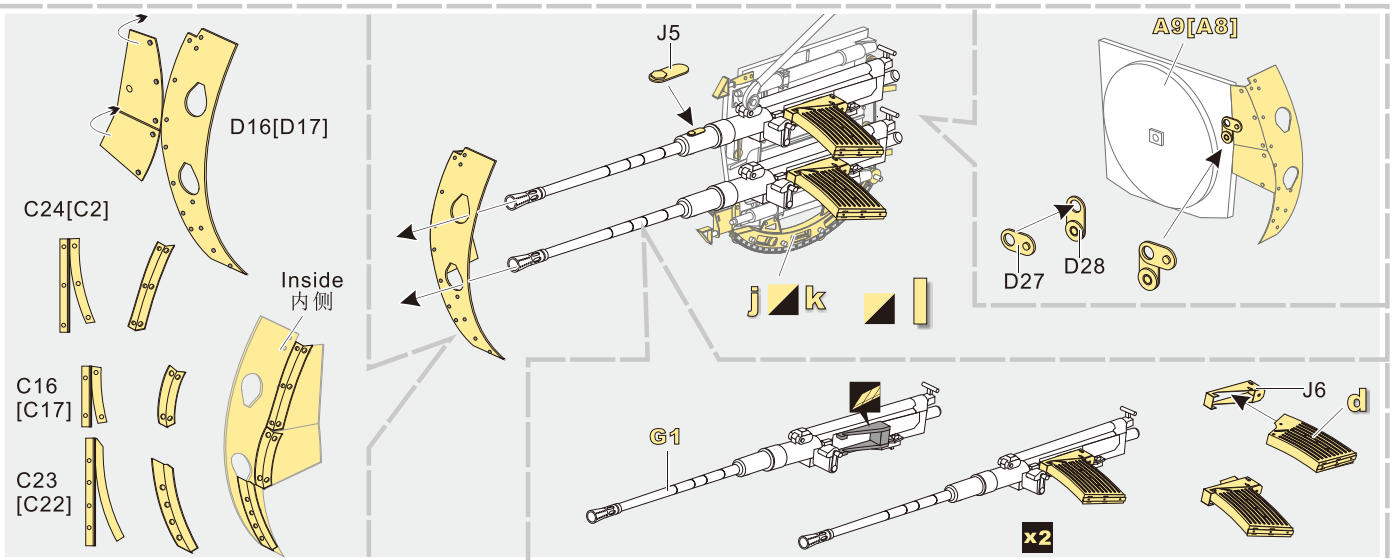
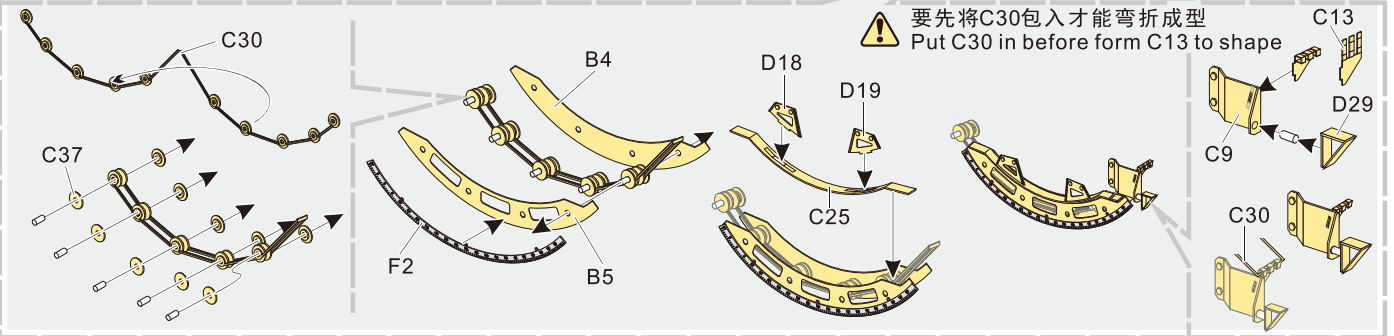
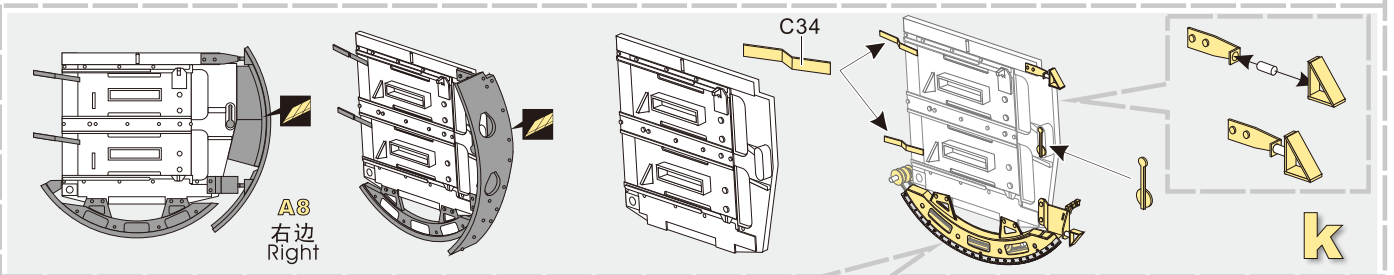
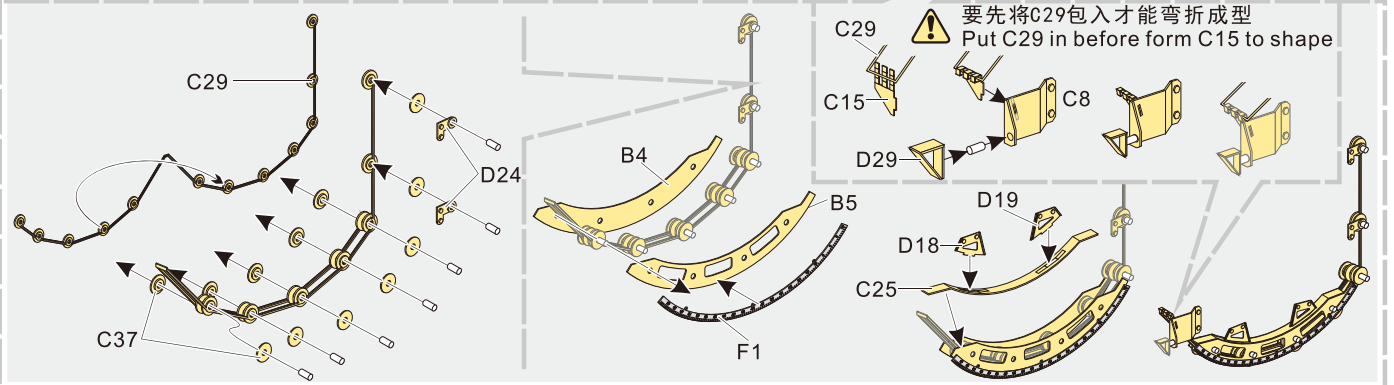
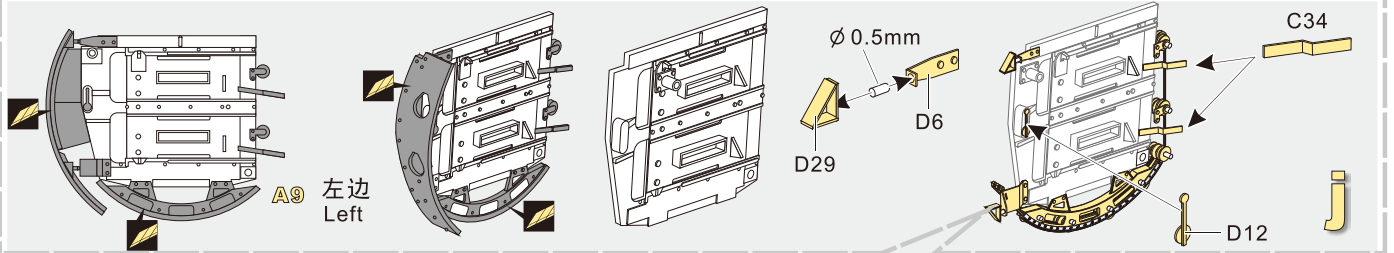
In cooperation with WWP Publication .  
Technical data, drawings & photo courtesy of Frantisek Koran, Rudi Schoeters, Martin Velek and Jan Horak as in Special Museum Line NO.36 "Sd.Kfz.7 in detail"



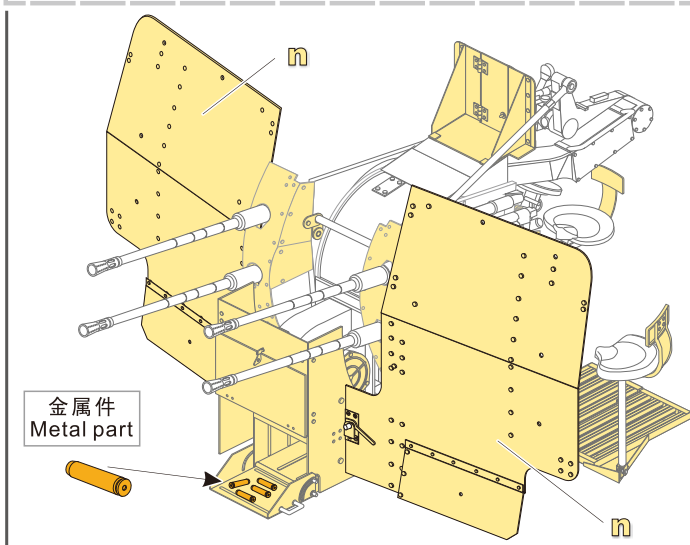
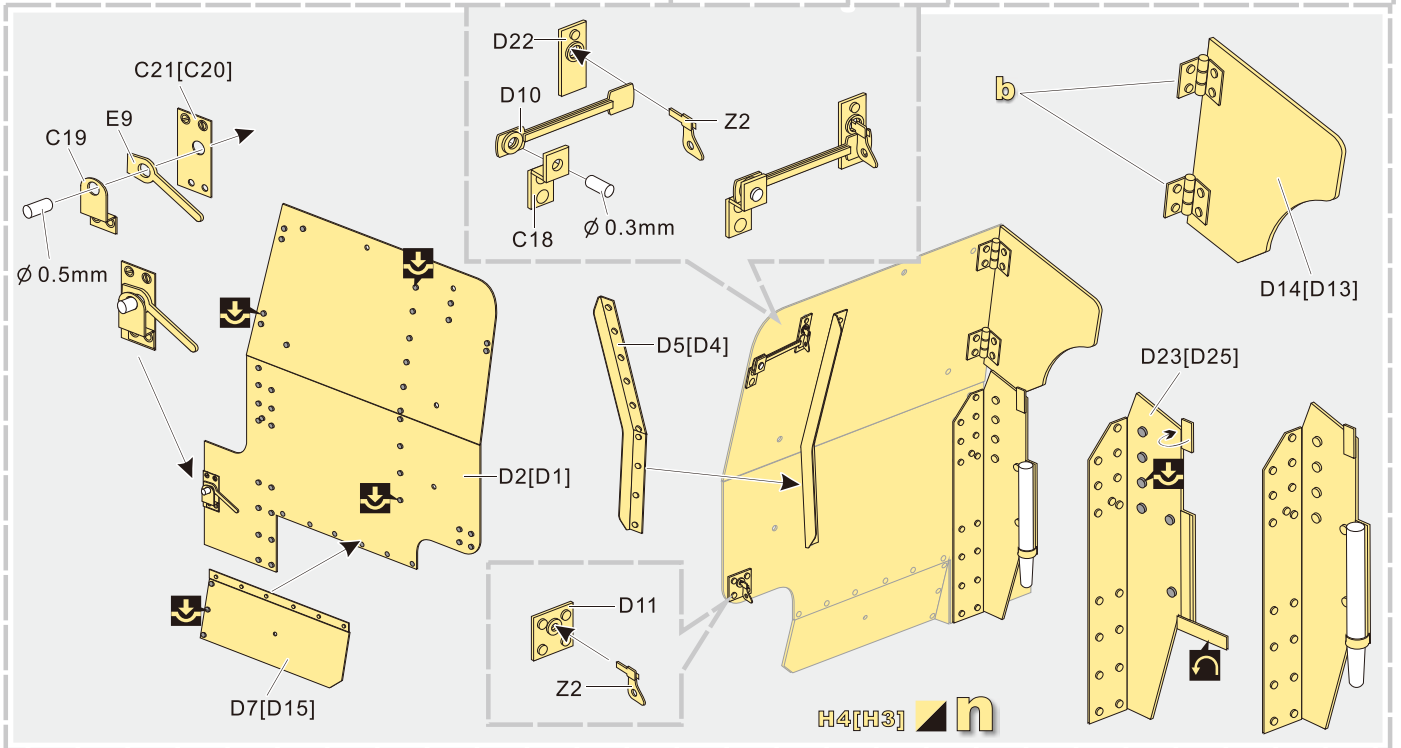
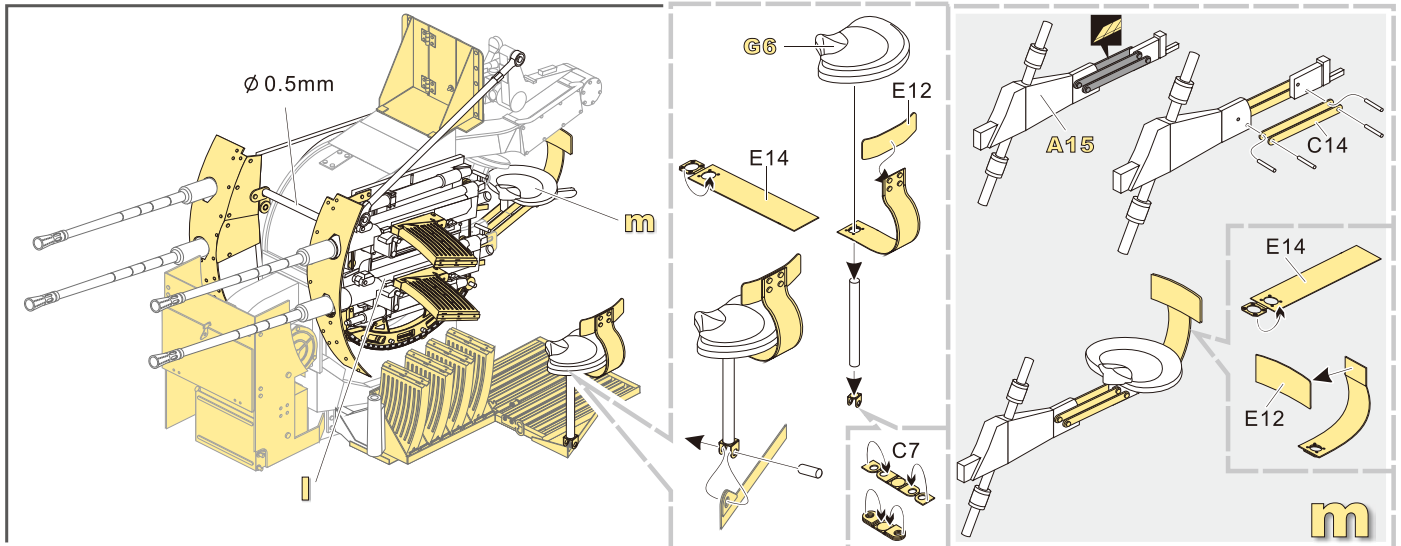
1/35 MILITARY MINIATURE VEHICLE UPGRADE SERIES PE35301



1/35 MILITARY MINIATURE VEHICLE UPGRADE SERIES PE35301



1/35 MILITARY MINIATURE VEHICLE UPGRADE SERIES PE35301



金属件  
Metal part

VOYAGERMODEL® 无微不至 细节享受	
Recommended item	
PE35299	WWII German Sd.Kfz.7/1 Part 1
PE35231	WWII German Sd.Anhanger 51
PE35302	WWII German Sd.Kfz.7/1 Part 3(HULL)
AP067	WWII German Magazines & Ammo Boxes for Flak 30/38
PEA118	WWII German Sd.Kfz.7 Road Wheels Pattern 1
PEA177	WWII German tank Stenciling template2
ME-A039	WWII German Shells for 1/35 20mm Flak 38
VBS0137	WWII German 20mm Flak38 Barrel w/Ammo Magazine 4X4