

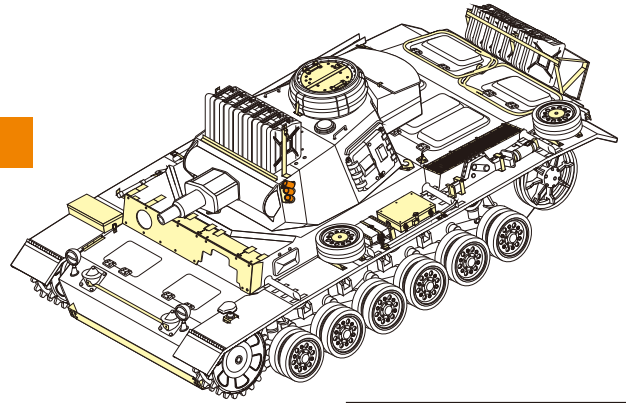
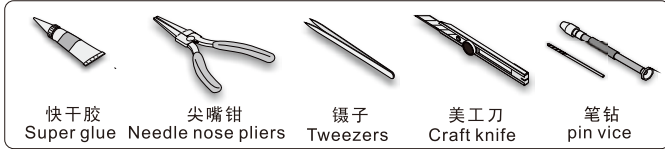
1/35 MILITARY MINIATURE VEHICLE UPGRADE SERIES PE35242

# WWII German Pz.Kpfw.III Ausf.N sPz.Abt 501 Afrika

## 二战德军III号坦克N型改造件 (北非501重战车营)

[For Dragon 6431]

■ 推荐使用工具 RECOMMENDED TOOLS



- 安装  
install
- 折叠  
bend
- A1**  
改造件零件编号  
PE/resin part number
- B12**  
原零件编号  
kit part number
- G22**  
被替换的原零件编号  
replaced kit part number
- 另一侧相同制作  
repeat on opposite side
- 切除  
remove
- 打磨  
grind off
- 弧度卷曲  
radial bending
- x2**  
制作若干组  
multiple assembly
- 选择安装  
alternative
- 钻孔  
drill
- 用胶棒制作  
make from plastic rod

用尖端在凹槽处冲压  
 use penpoint to press on the dent

蚀刻片零件内朝向上  
 Put the part upside down  
 用笔尖在凹槽处  
 Use penpoint to press on the dent

金属件 Metal part

自制 Scratch build

0.3mmx2.0mm

0.3mmx0.5mm

0.3mmx0.5mm

0.3mmx12.2mm

G31

0.3mmx0.7mm

G46

G25

0.3mmx1.0mm

H1

H2

H3

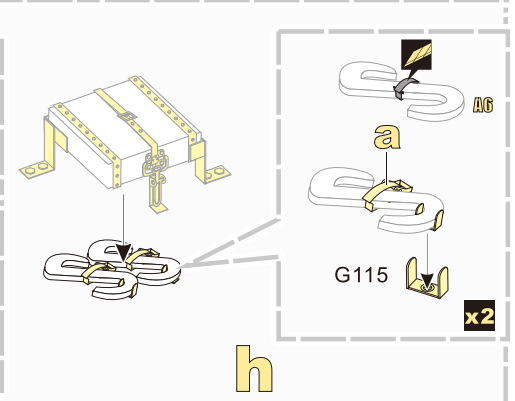
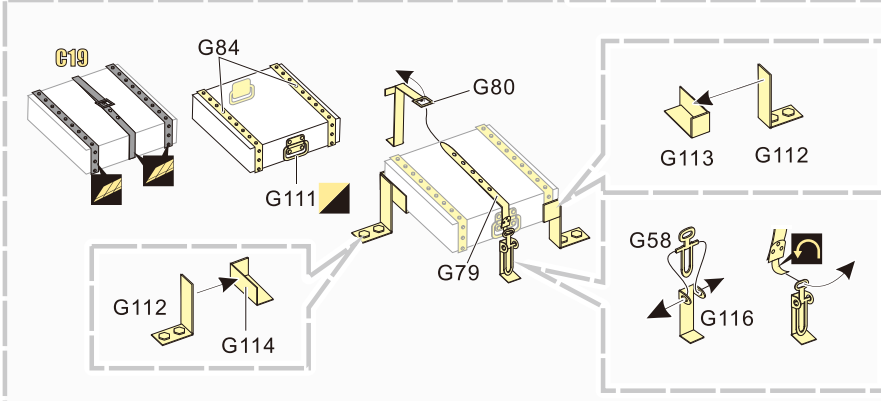
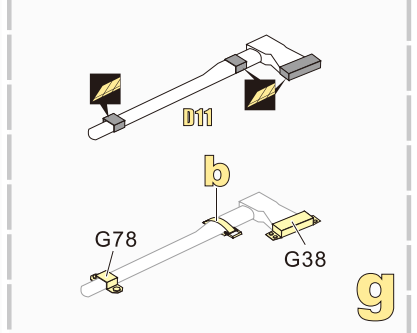
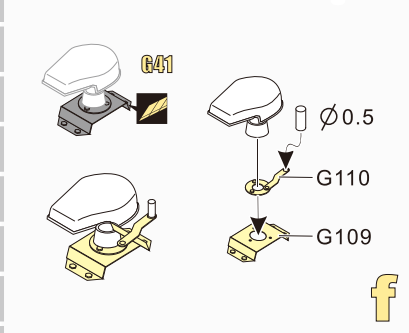
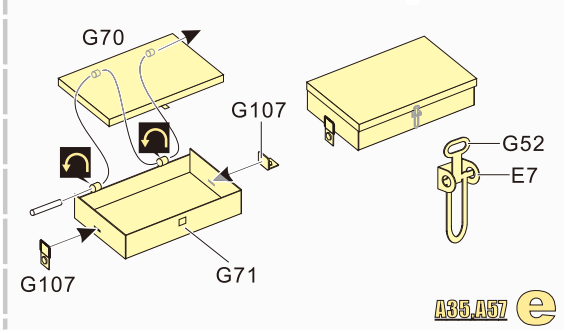
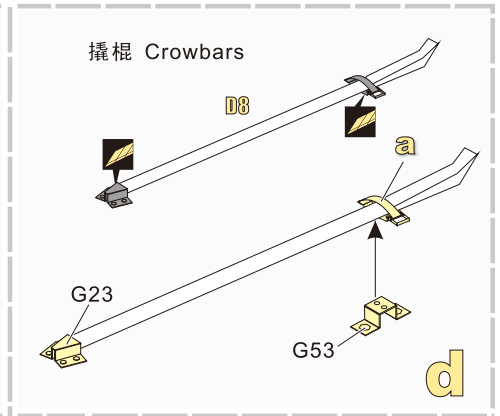
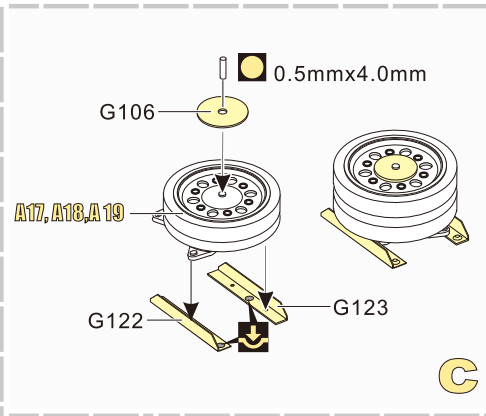
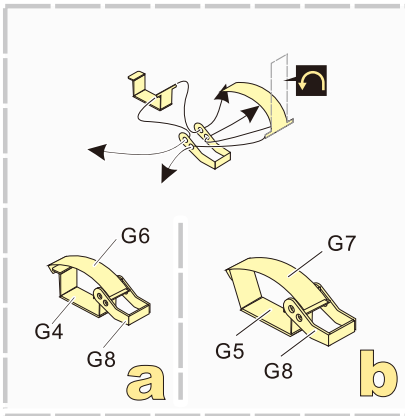
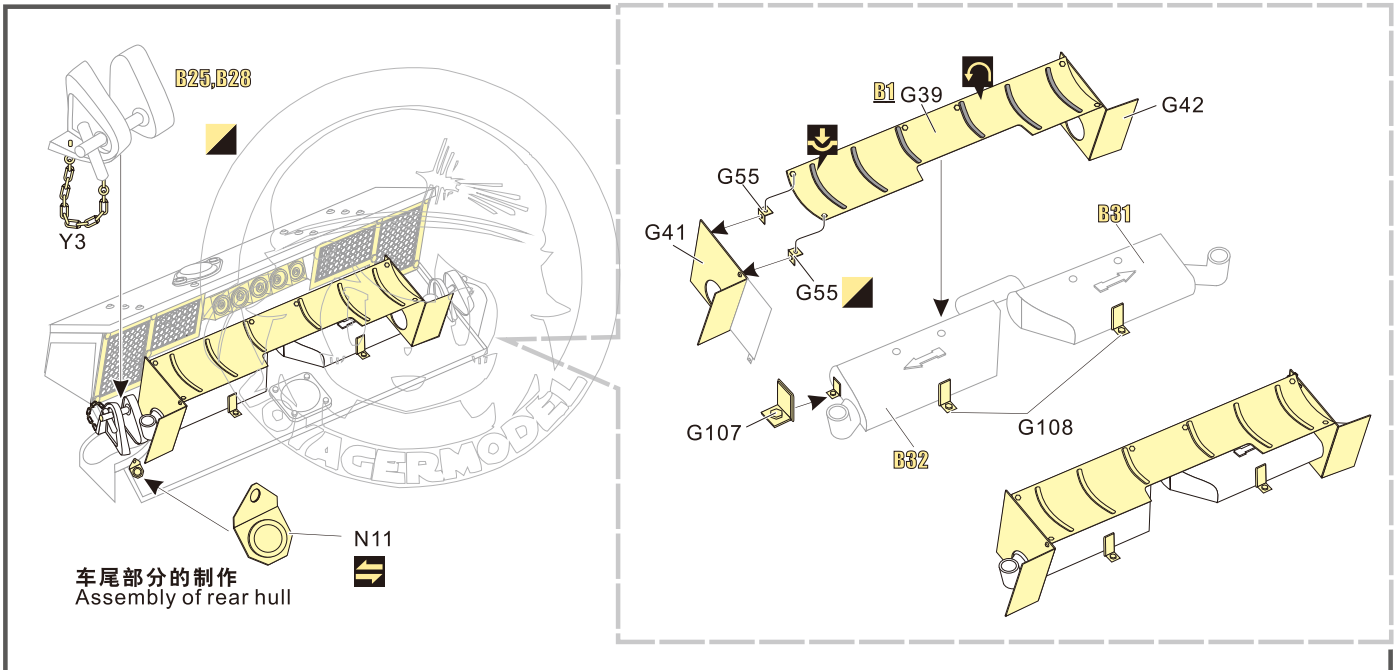
G98

D1

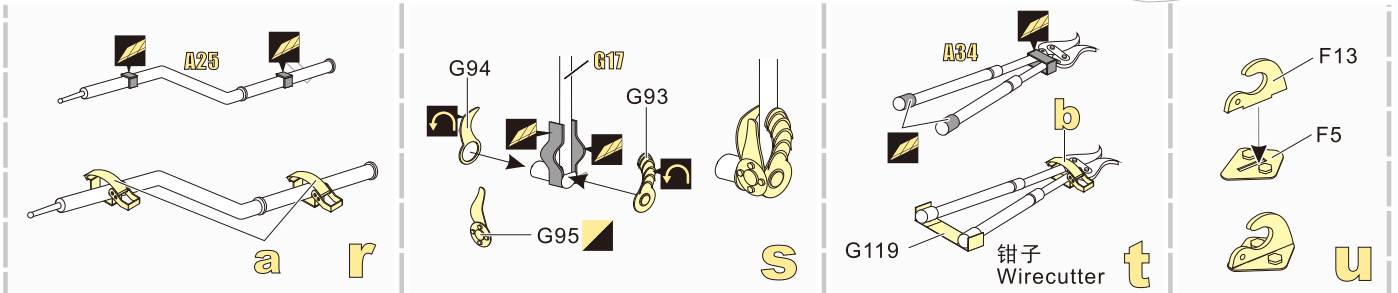
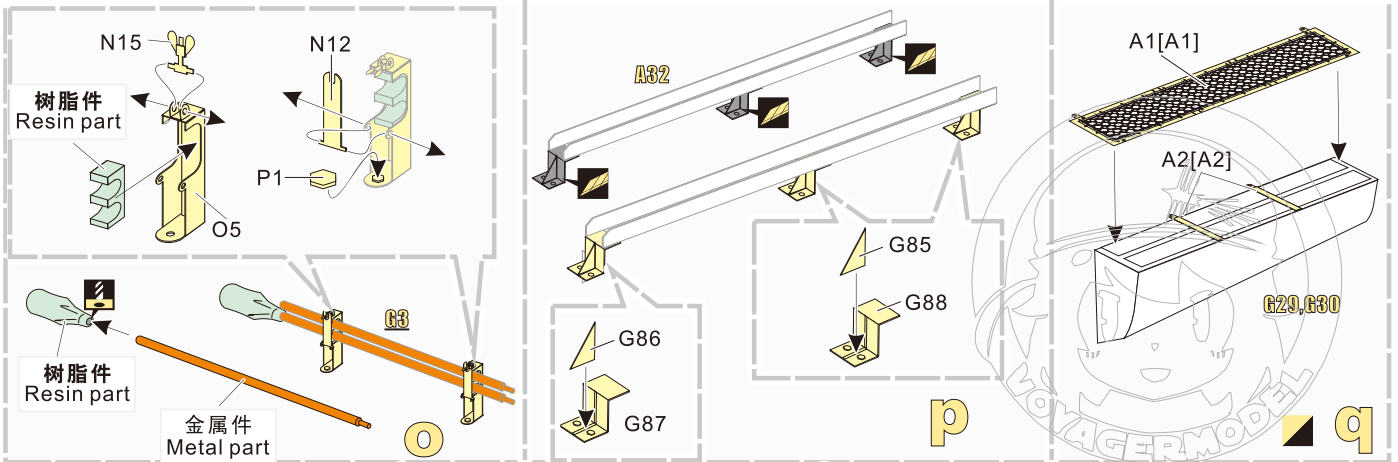
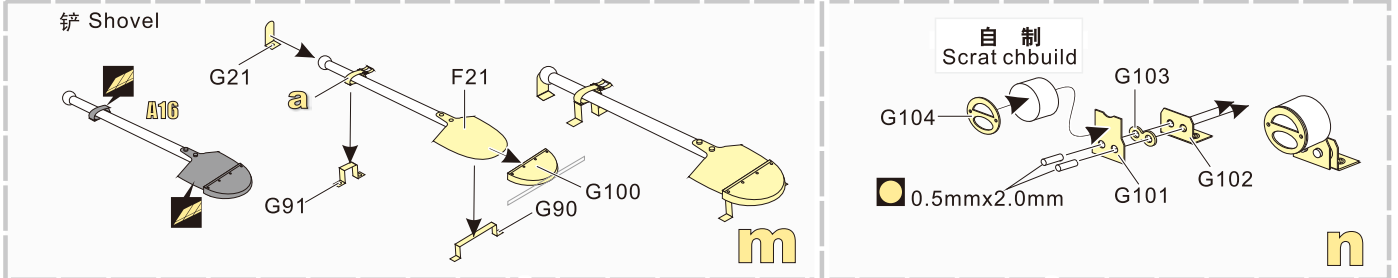
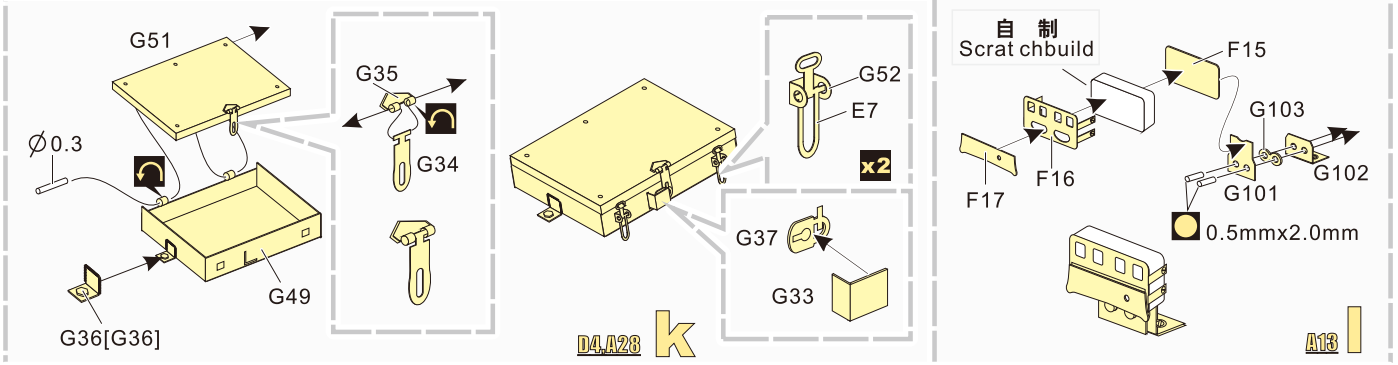
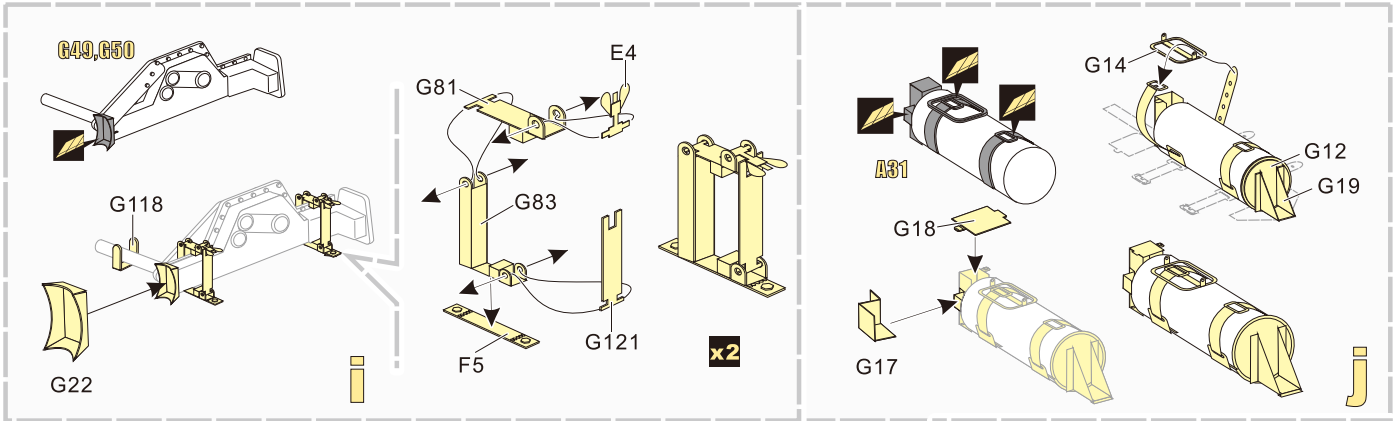
P1

此步骤的零件与炮塔上的烟幕弹应同时选择安装  
Parts in this step shall be chosen whether to install with the smoke charges on the turret.

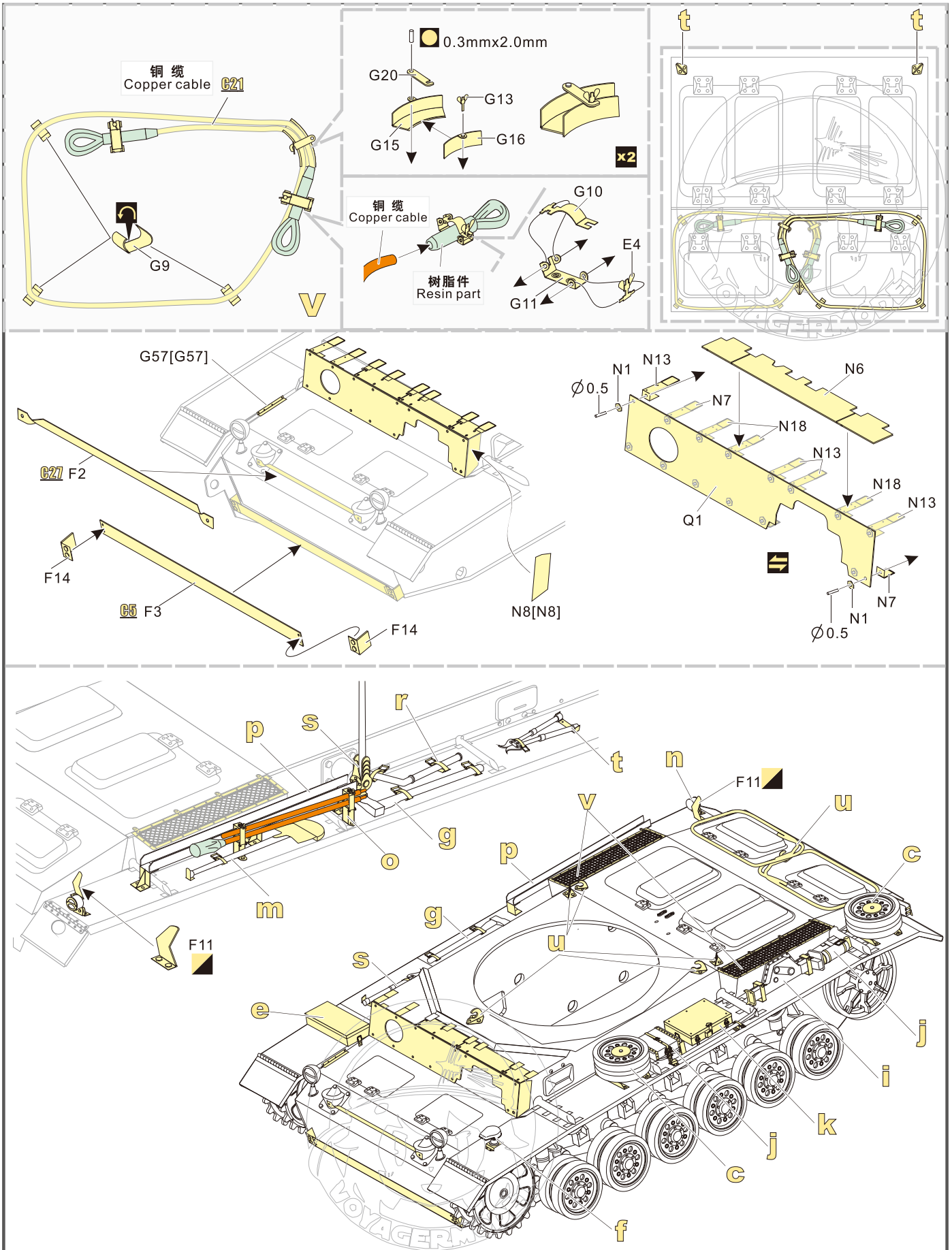
1/35 MILITARY MINIATURE VEHICLE UPGRADE SERIES PE35242



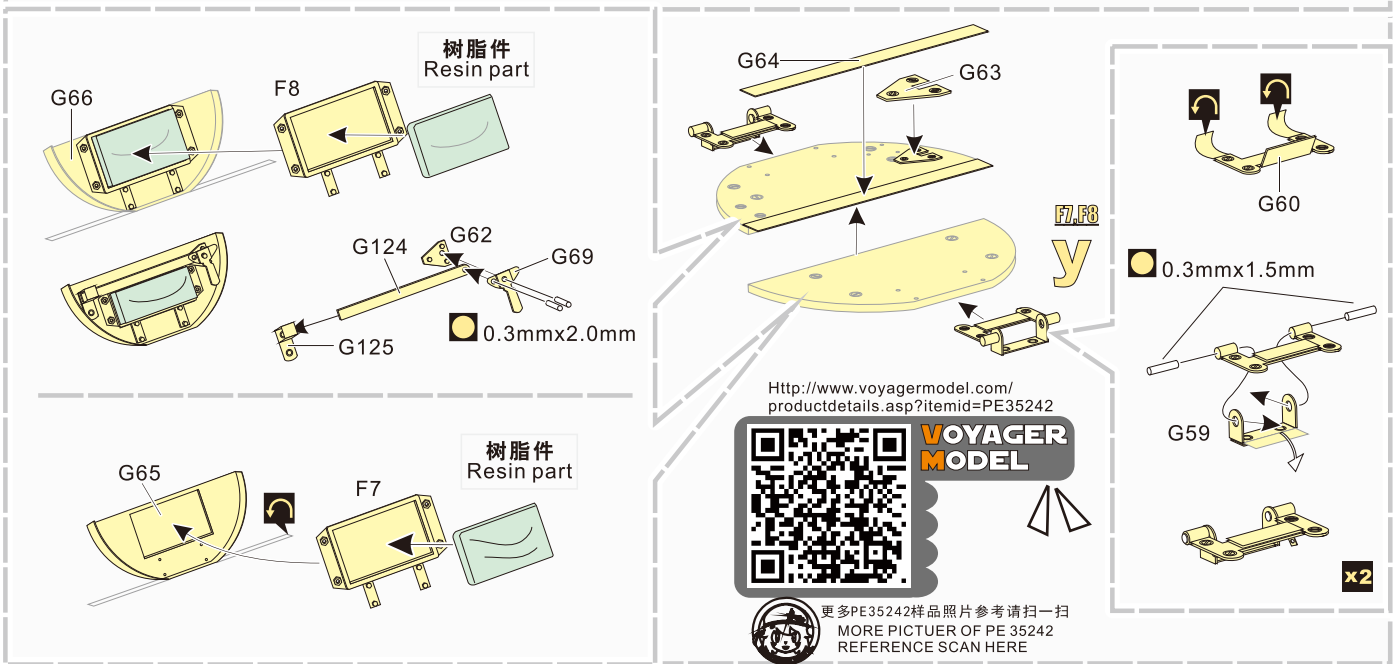
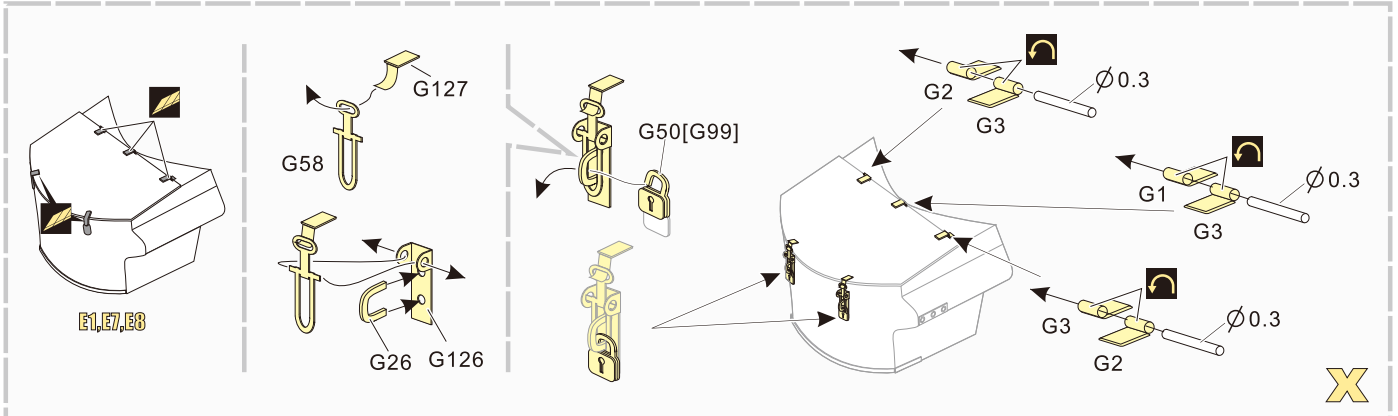
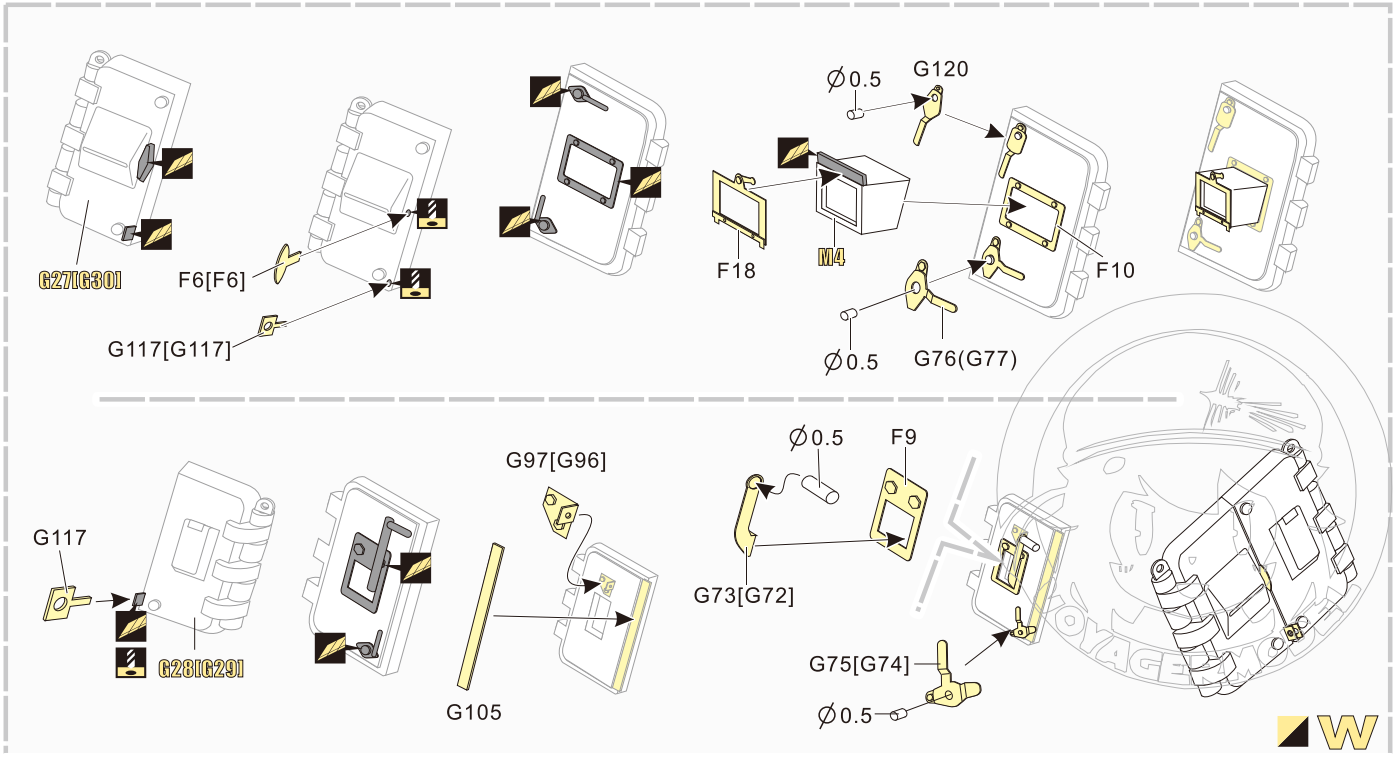
1/35 MILITARY MINIATURE VEHICLE UPGRADE SERIES PE35242



1/35 MILITARY MINIATURE VEHICLE UPGRADE SERIES PE35242



1/35 MILITARY MINIATURE VEHICLE UPGRADE SERIES PE35242



1/35 MILITARY MINIATURE VEHICLE UPGRADE SERIES PE35242

