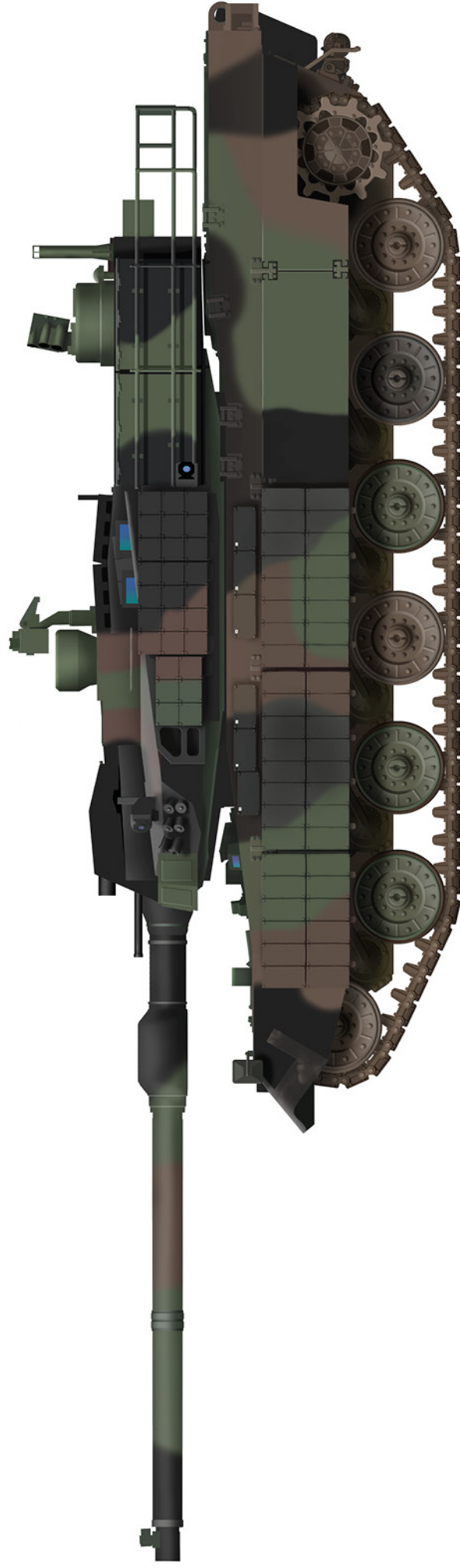


K2 'Black Panther' Polish Army

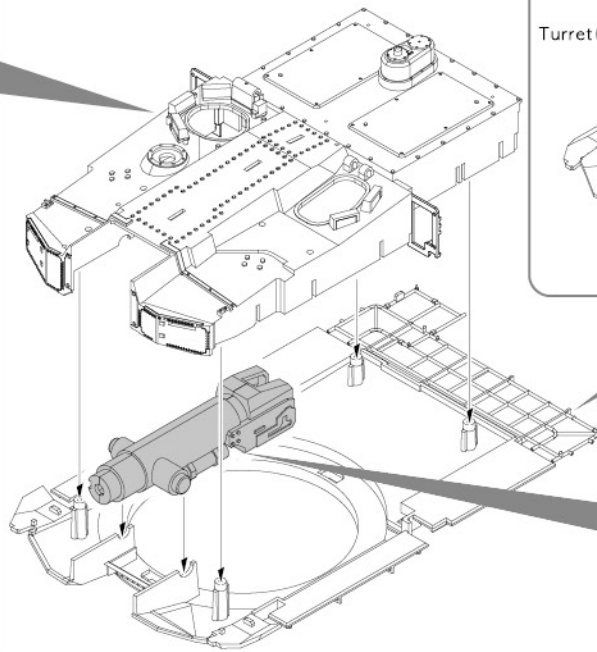
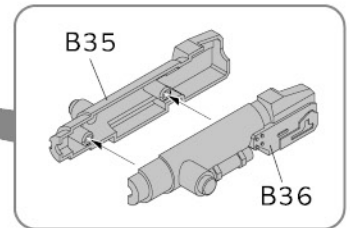
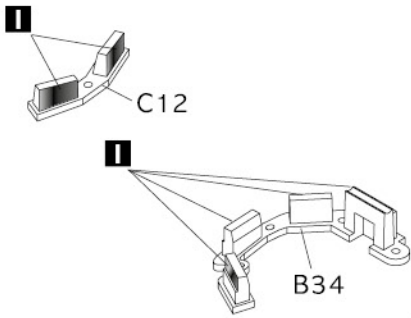
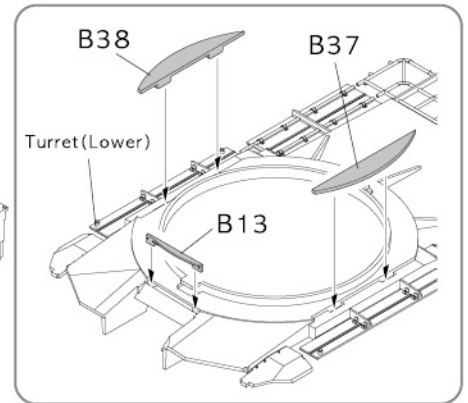
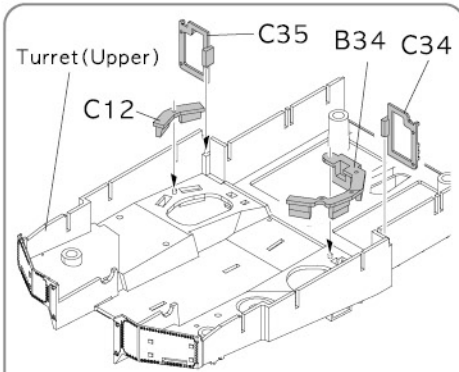
1:35 Scale Model Kit



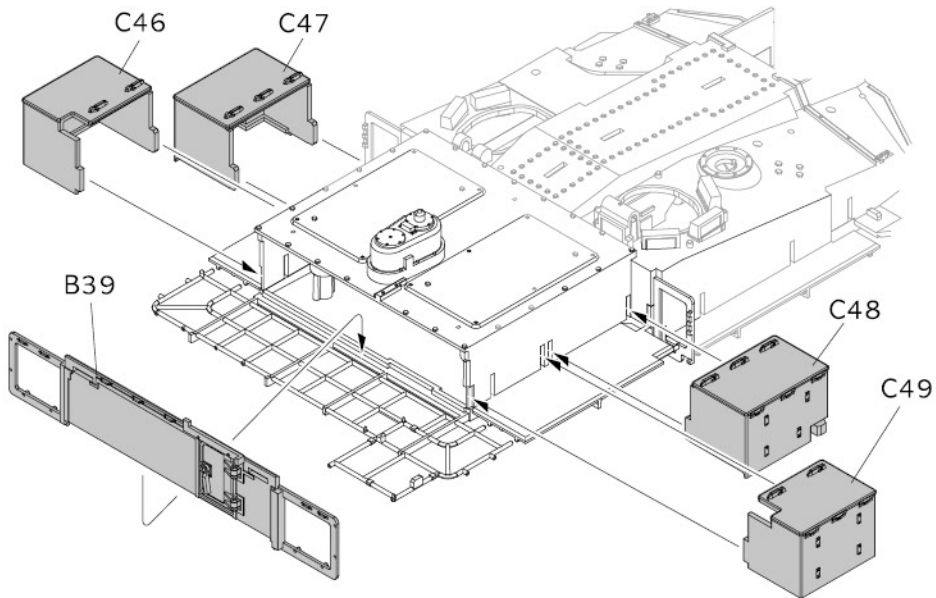
35004

Instruction & Painting Manual

1

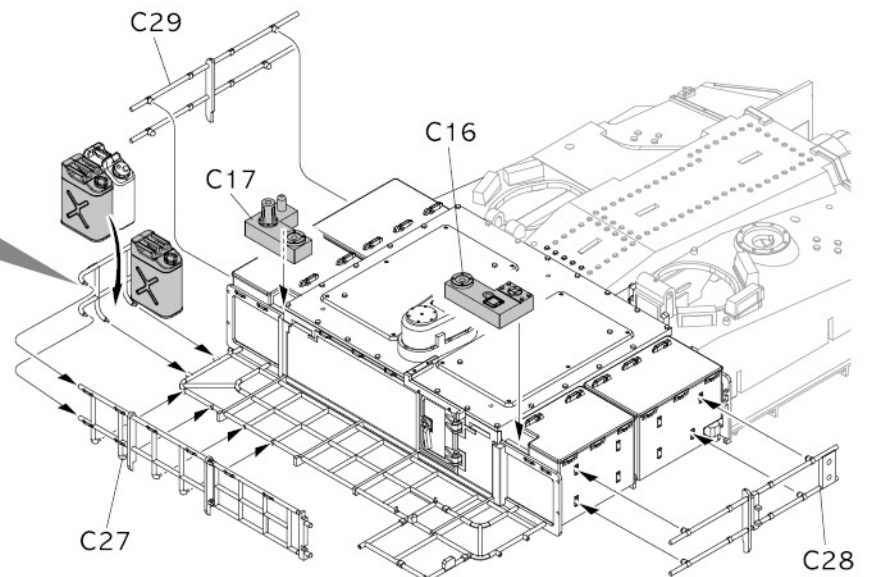
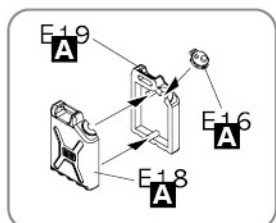
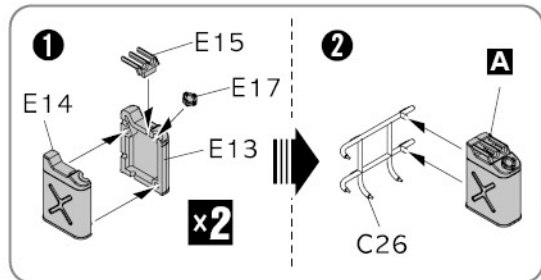


2



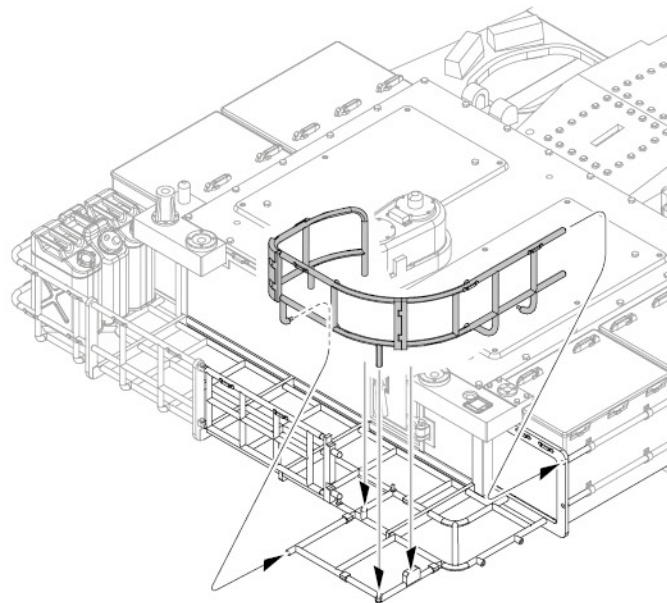
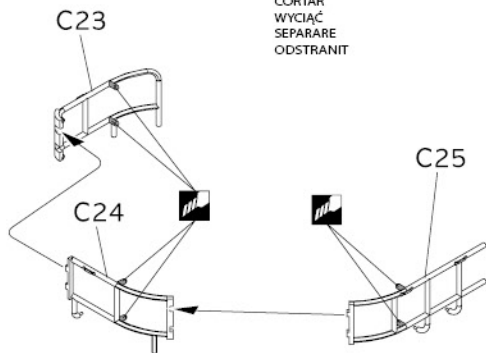
3

※ Start assemble with number ❶

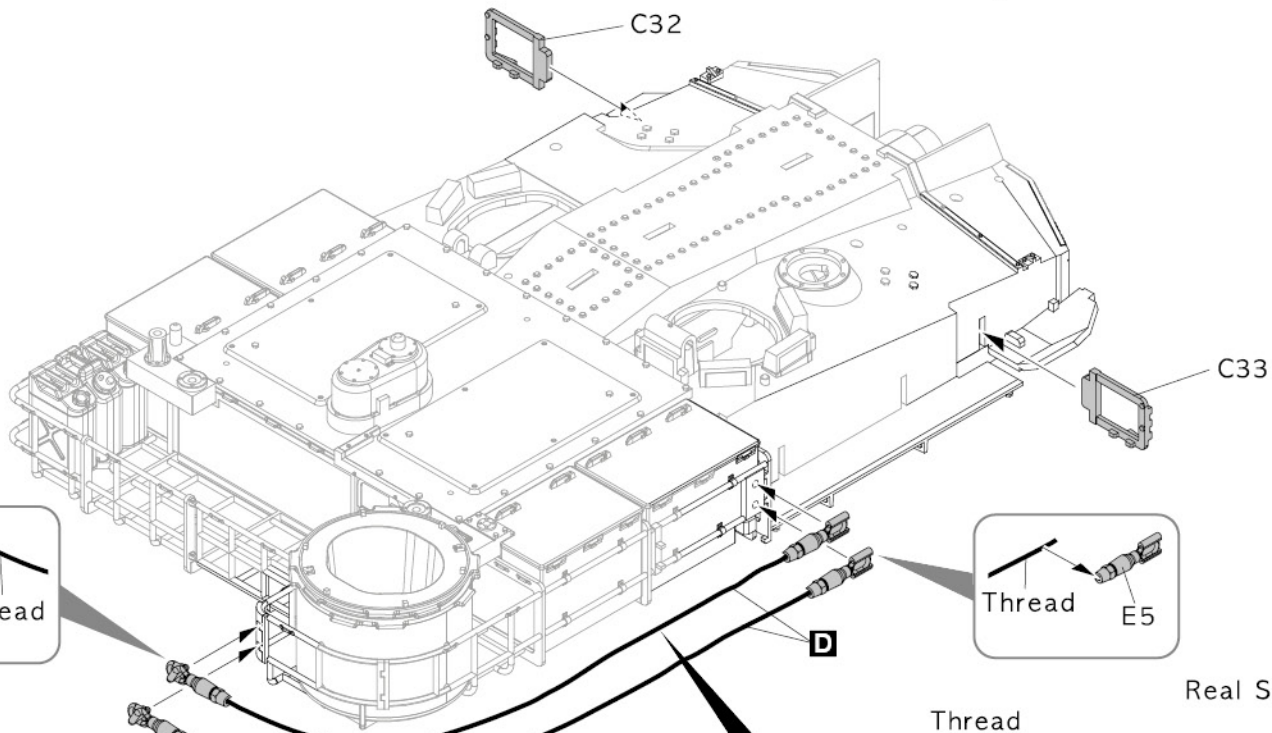


4

REMOVE
RETRIER
ENTFERNEN
CORTAR
WYCIĄC
SEPARARE
ODSTRANIT

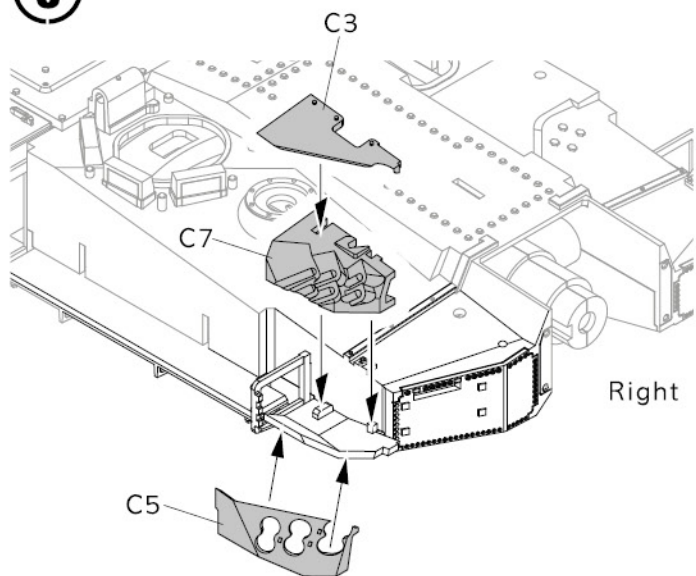


5

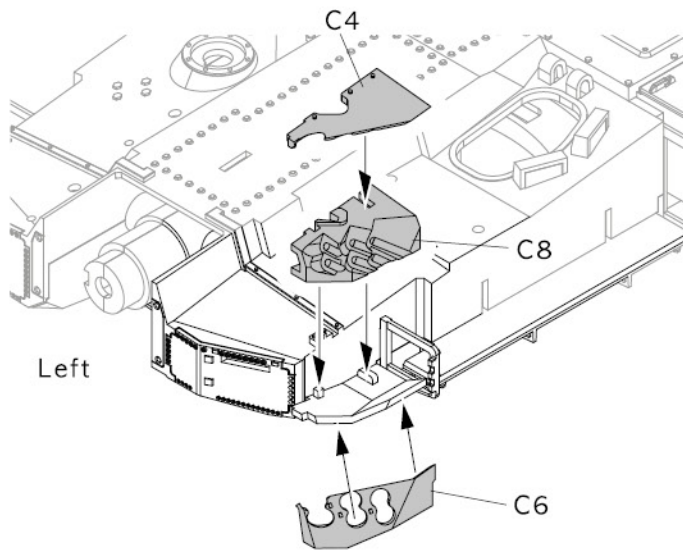


Real Size

6

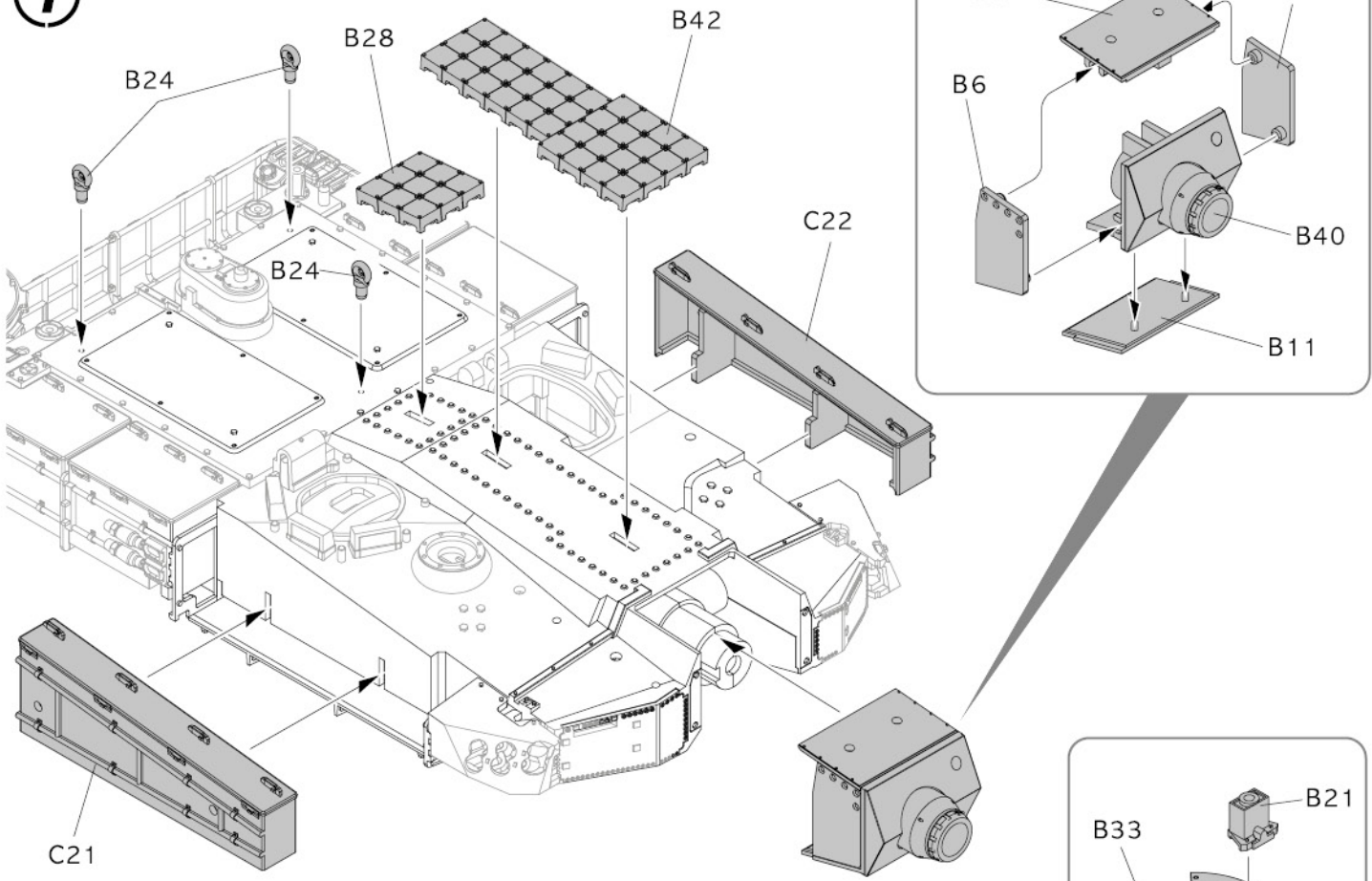


Right

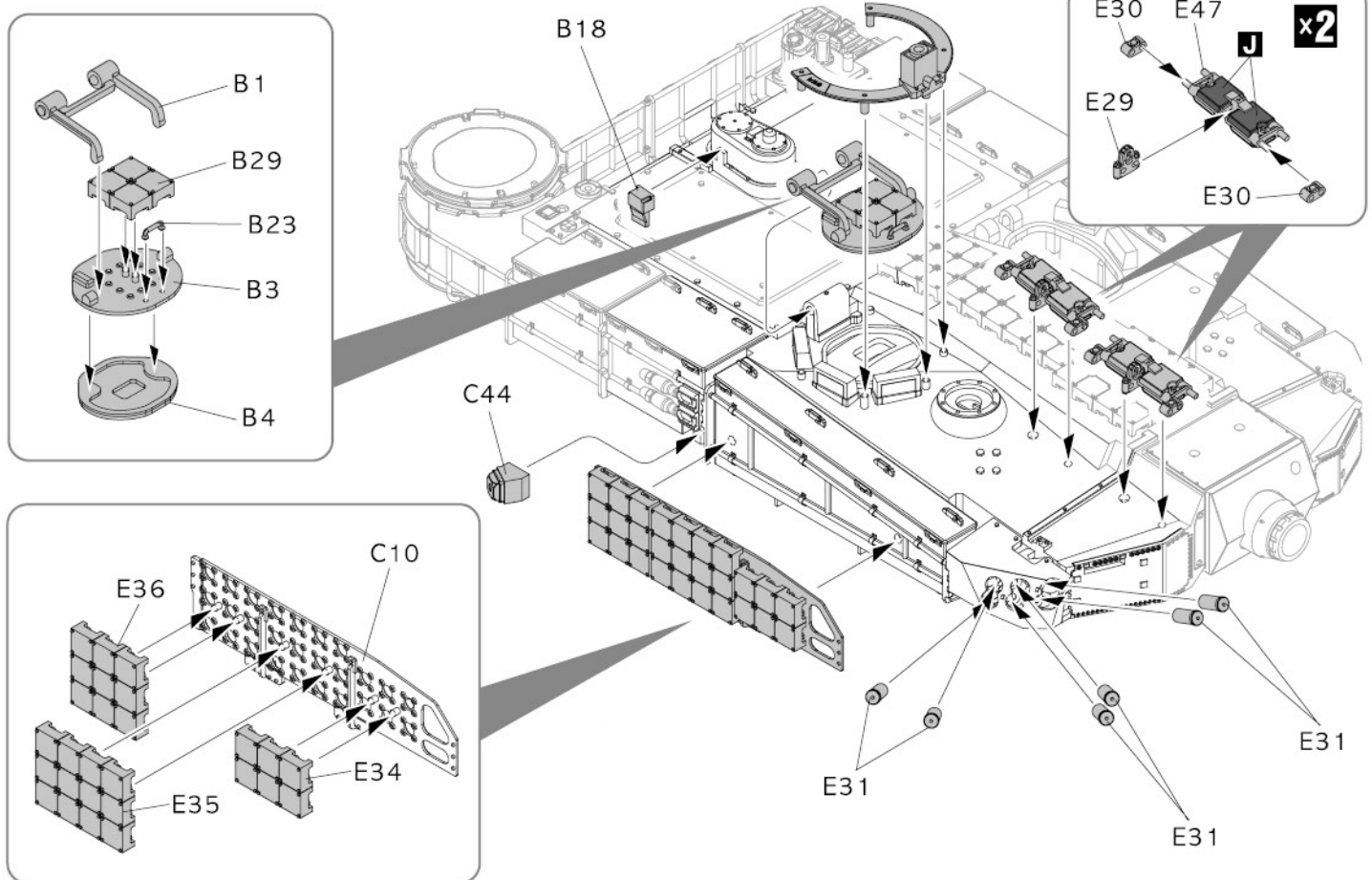


Left

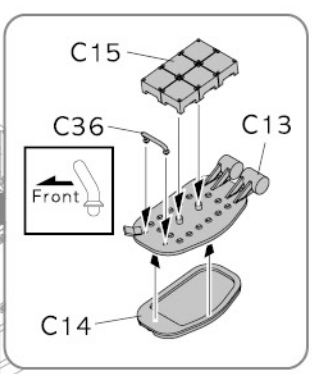
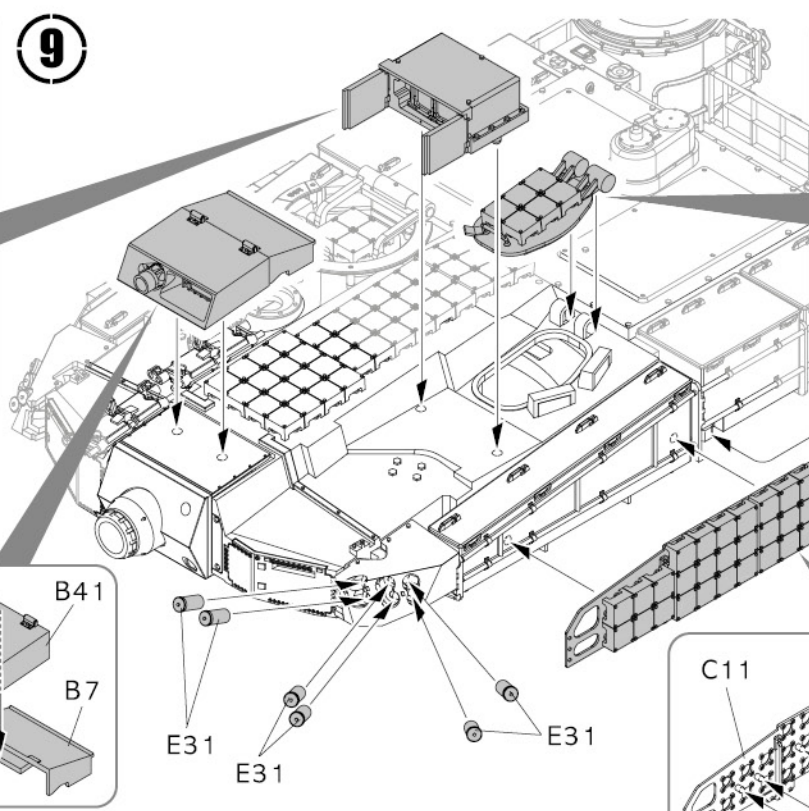
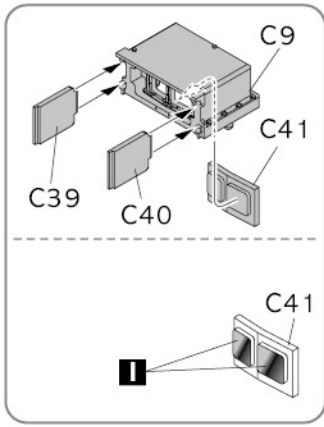
7



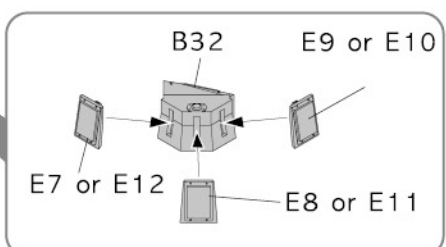
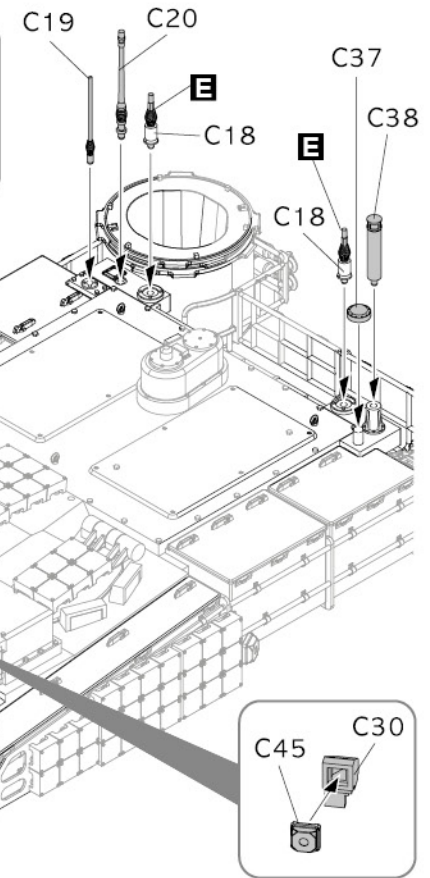
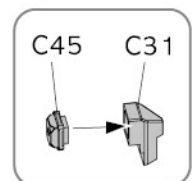
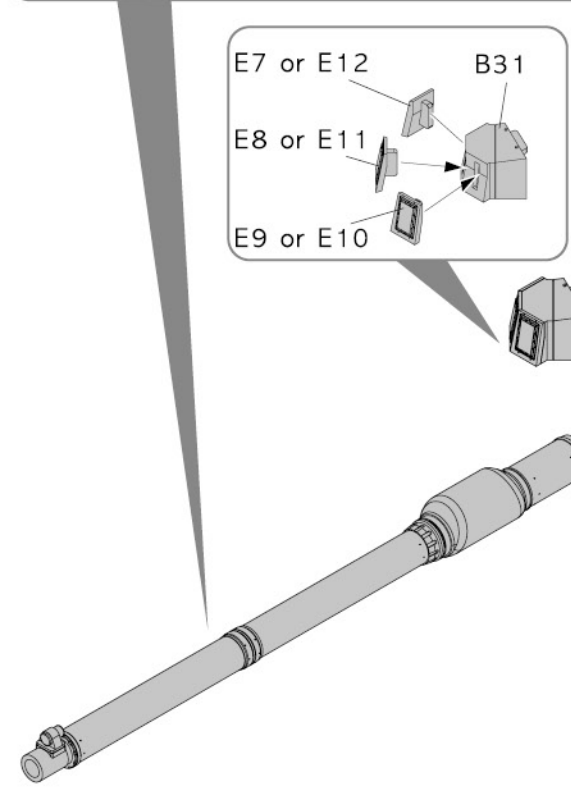
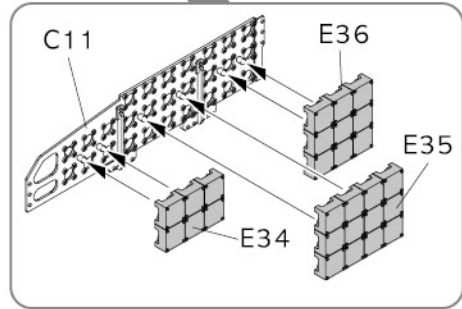
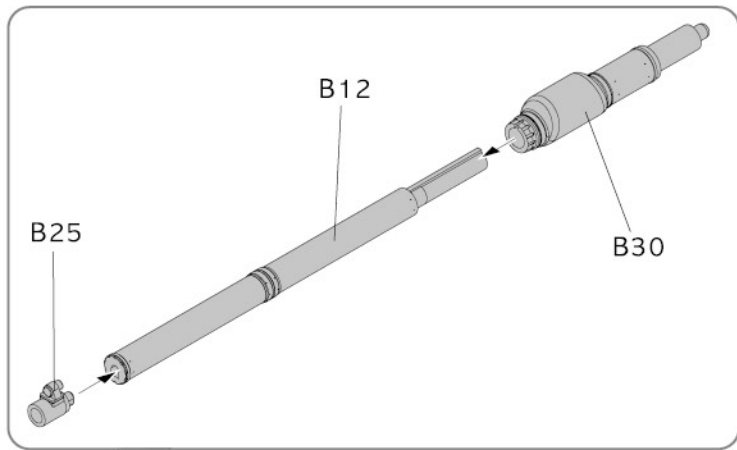
8

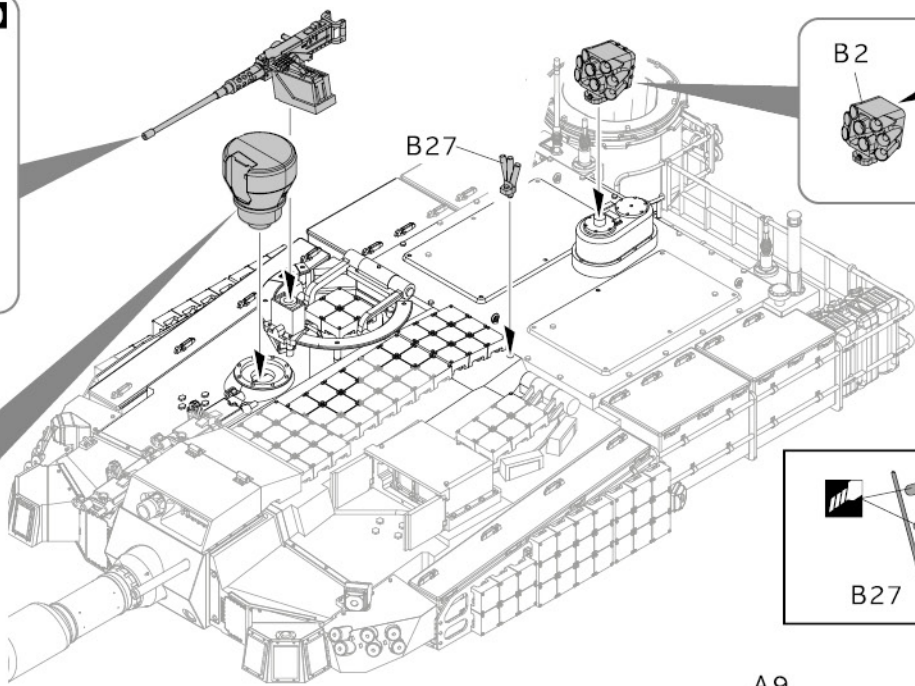
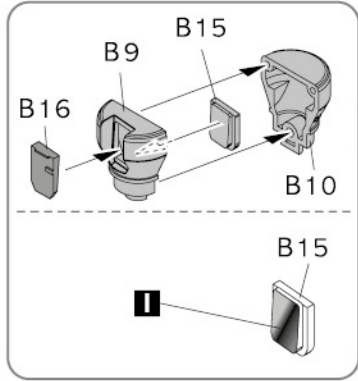
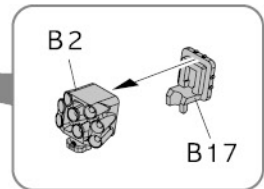
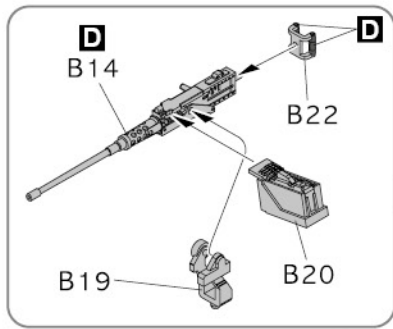


9

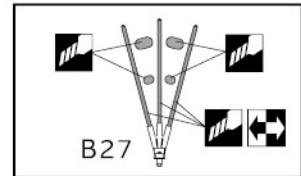


10

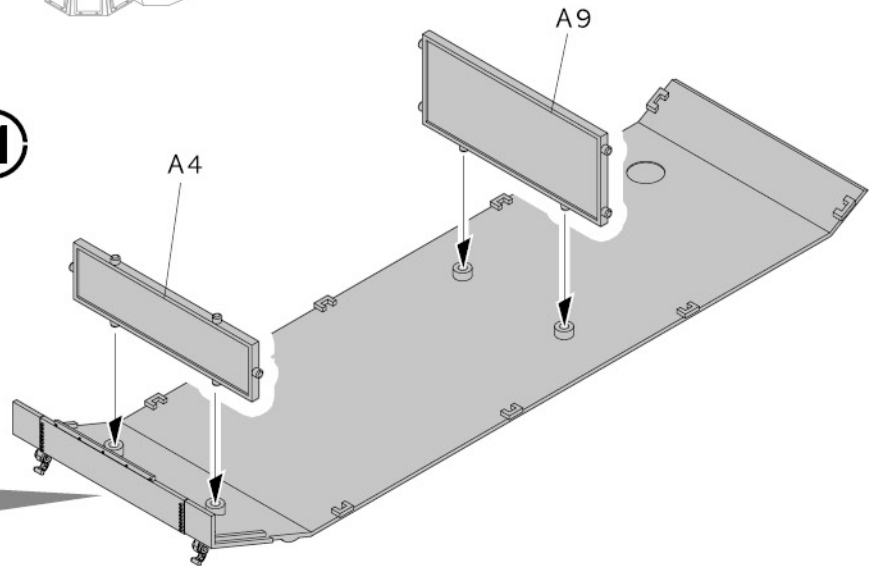
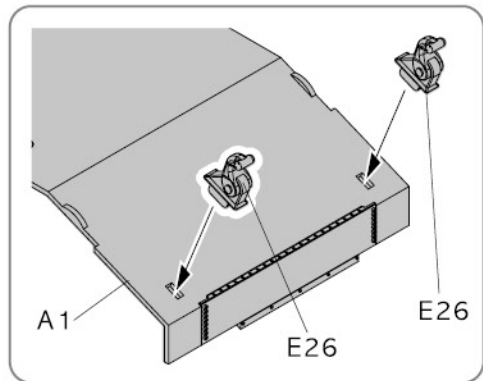




OPTION
FACULTATIF
NACH BELIEBEN
HACER AQUJERO
DO WYBORU
FACULTATIVO
VOLBA

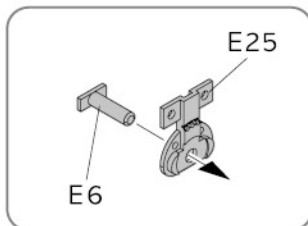
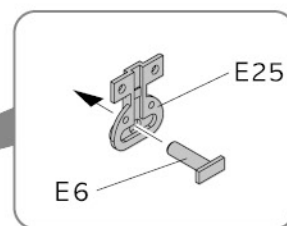
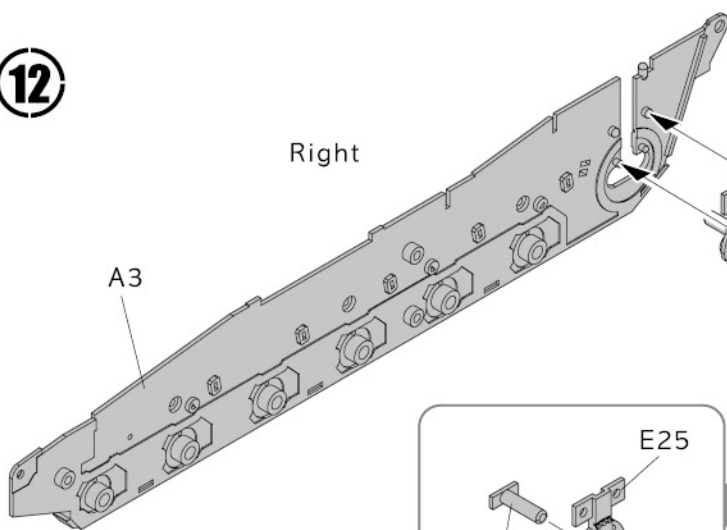


11



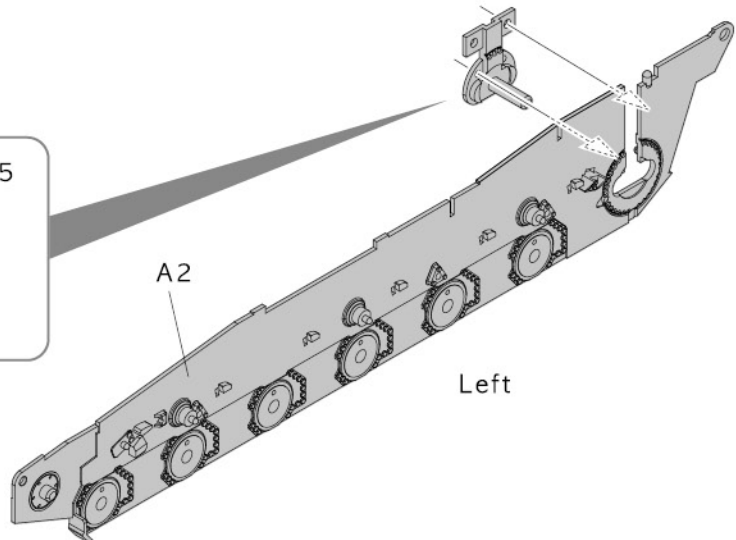
12

Right

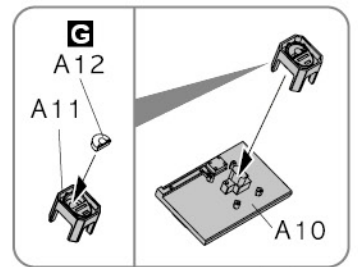
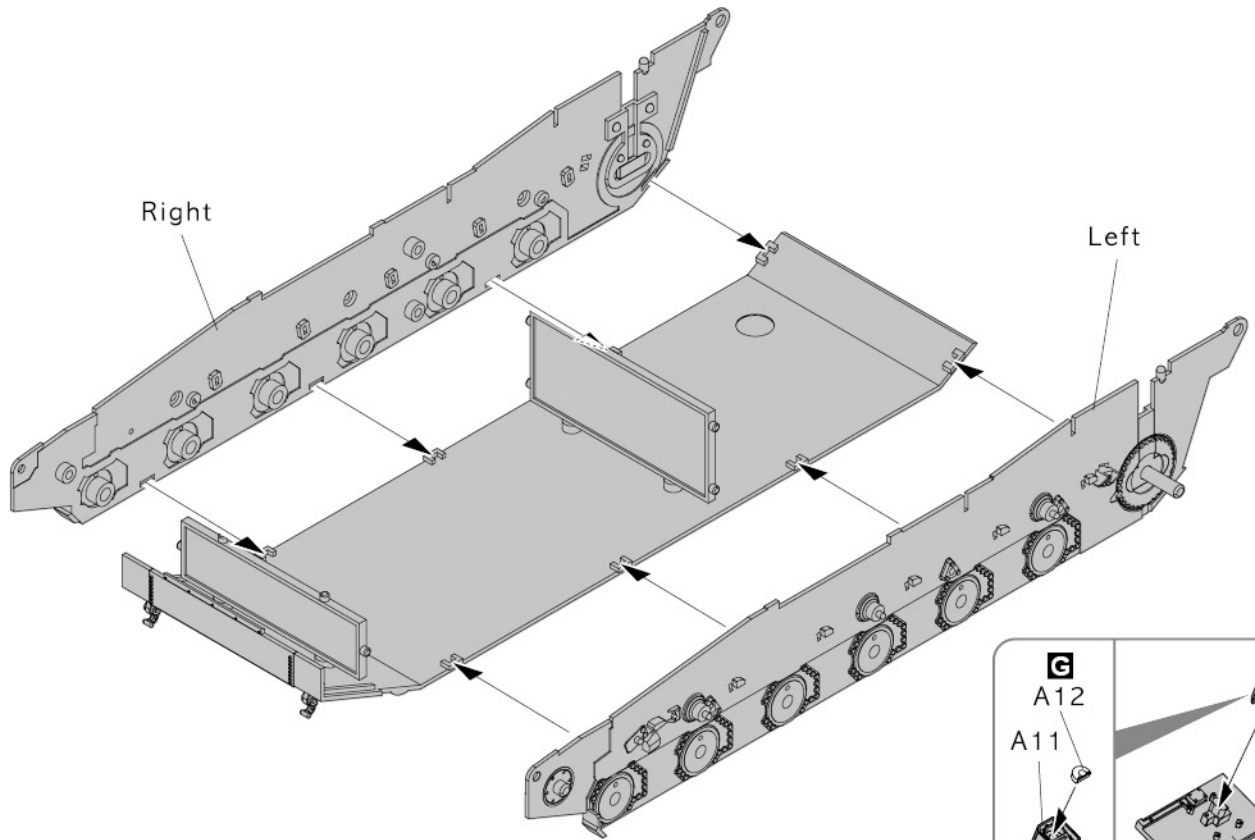


A2

Left

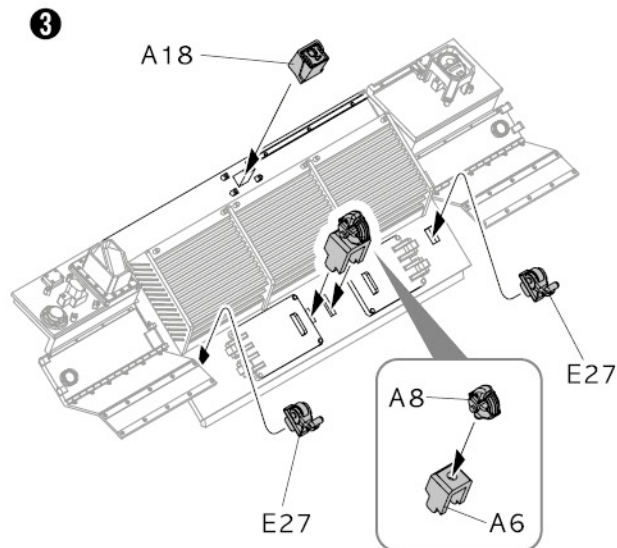
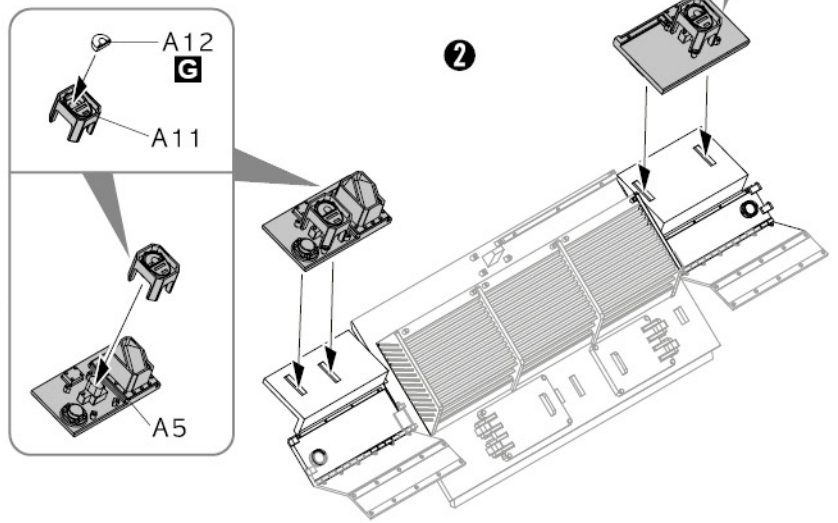
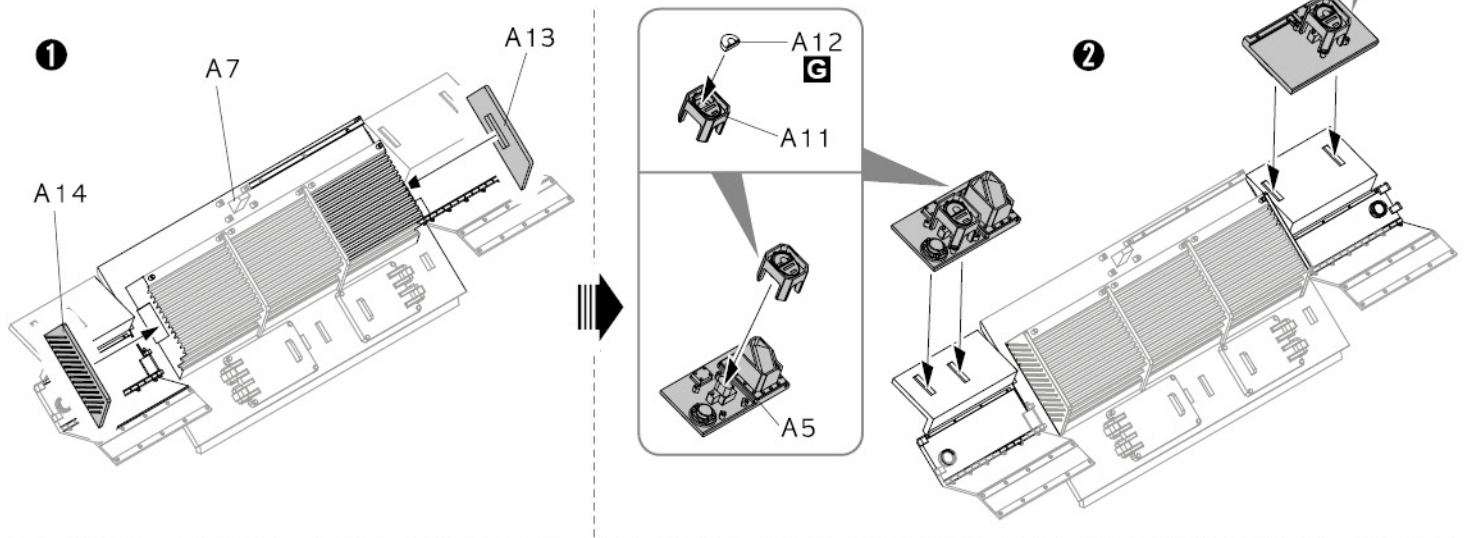


13



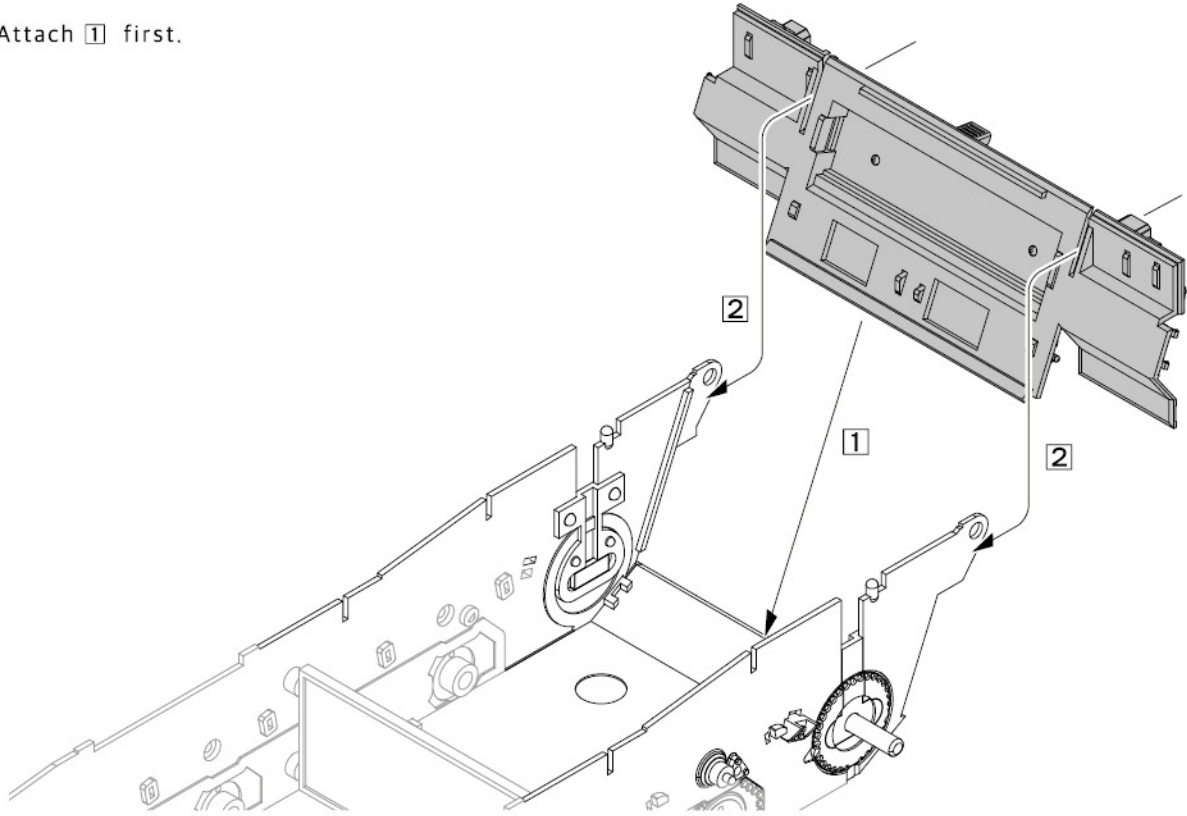
14

※ Start assemble with number ❶

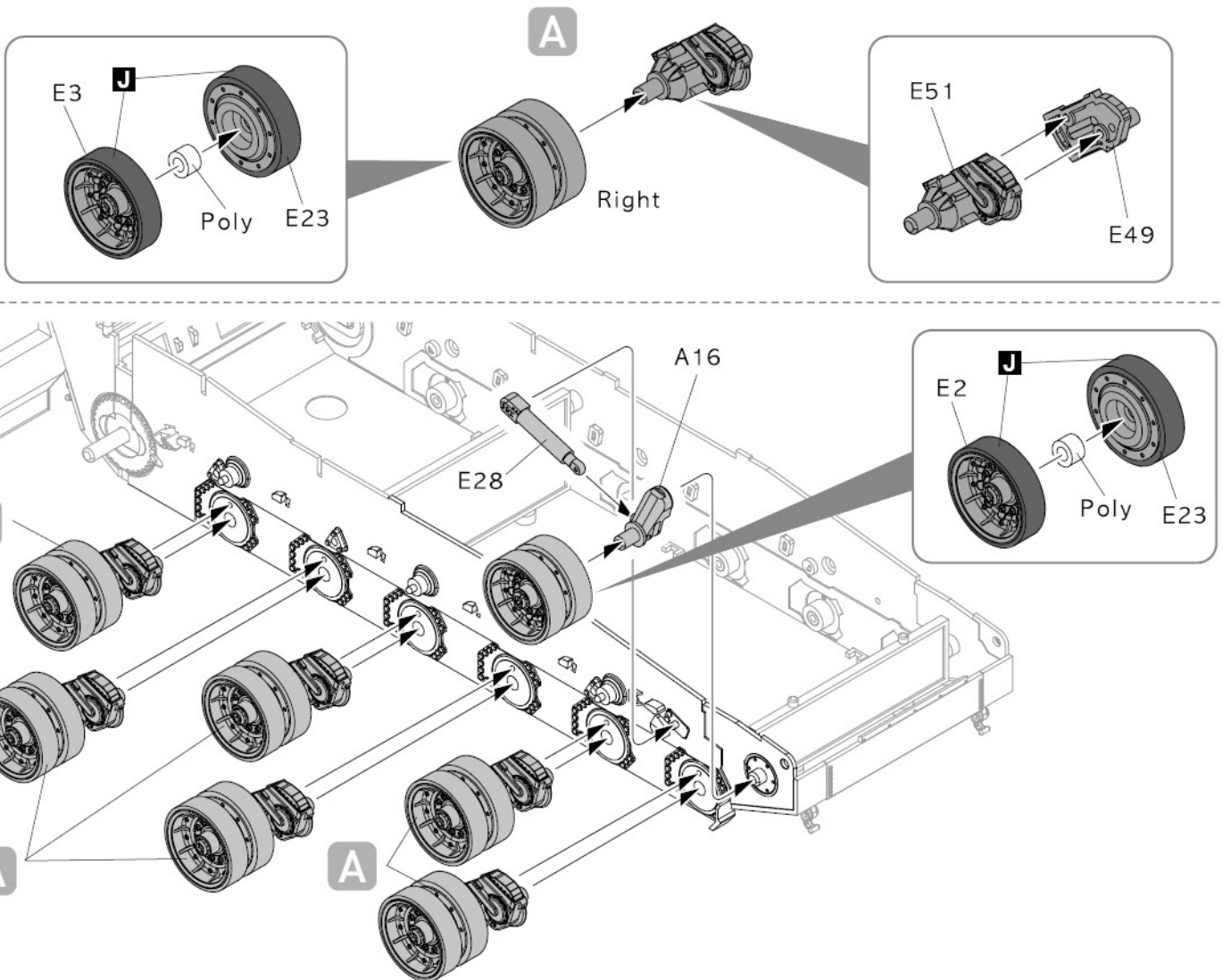


15

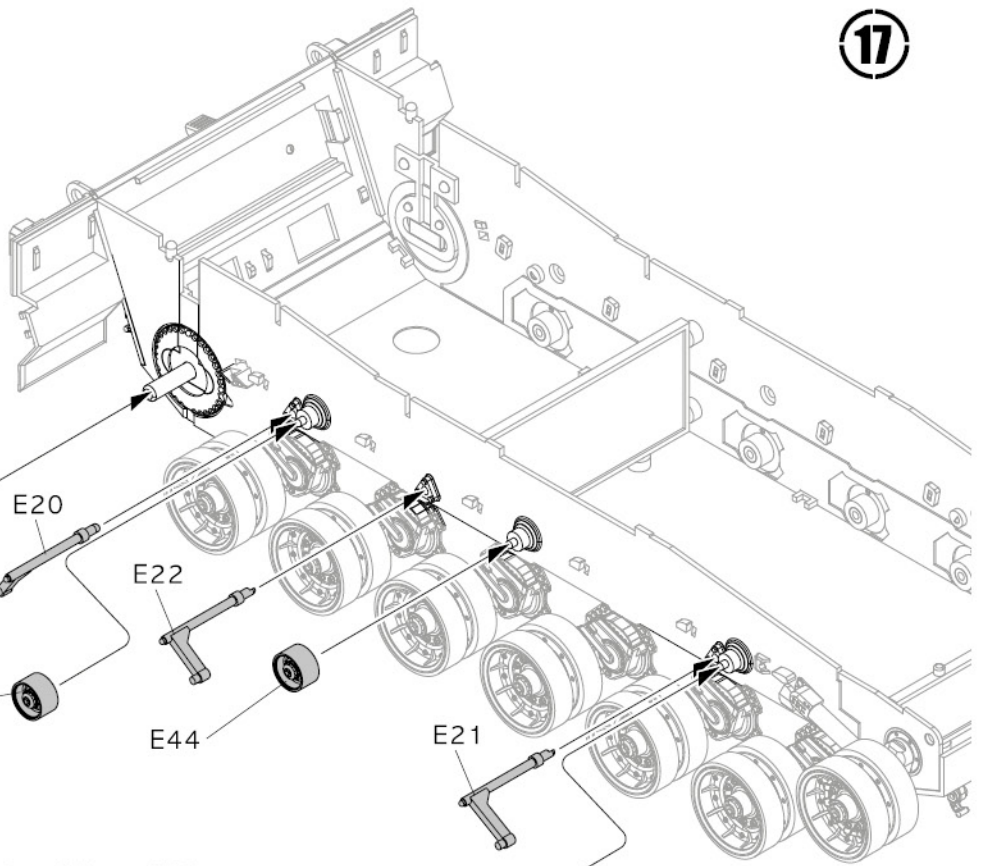
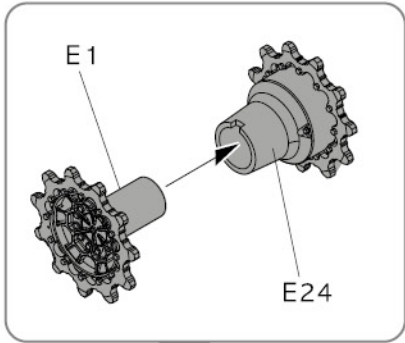
※Attach 1 first.



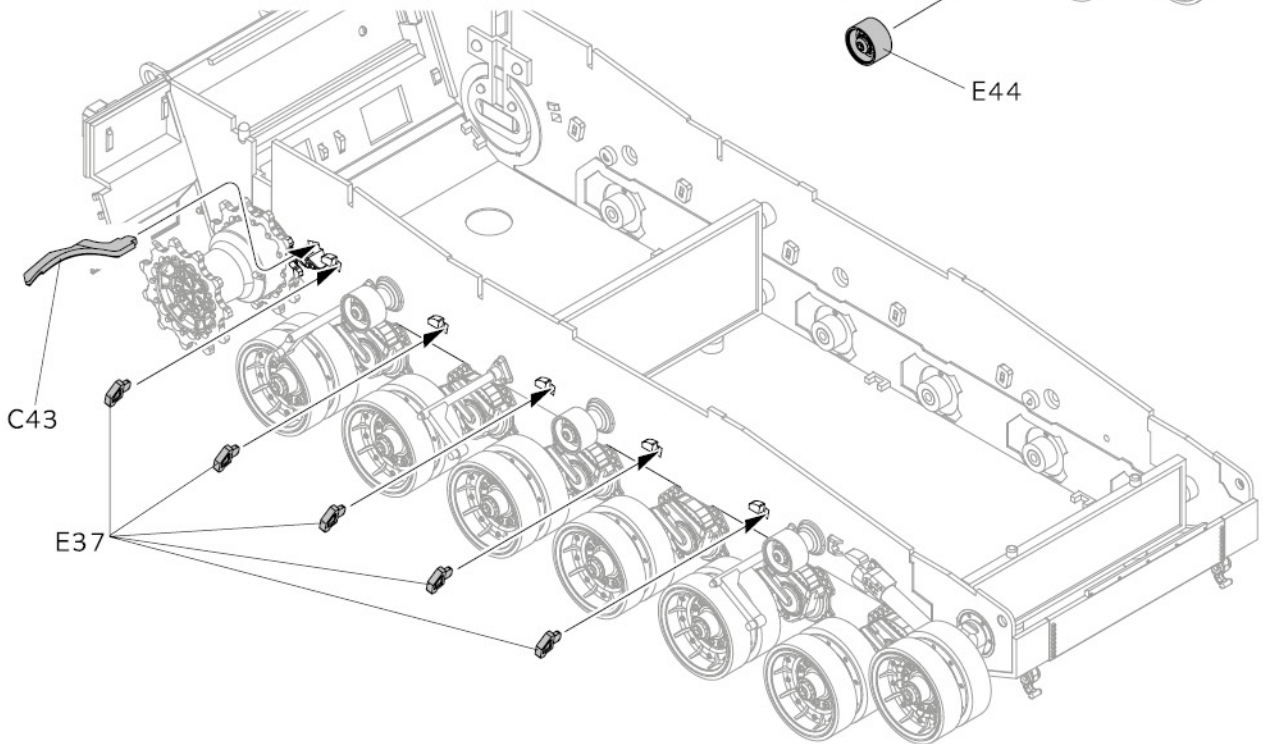
16



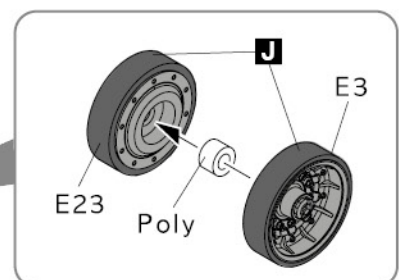
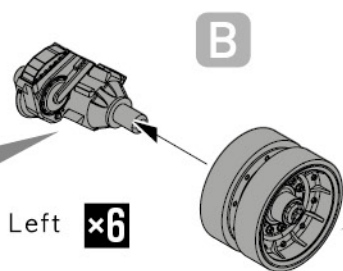
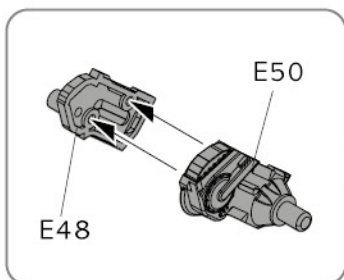
17

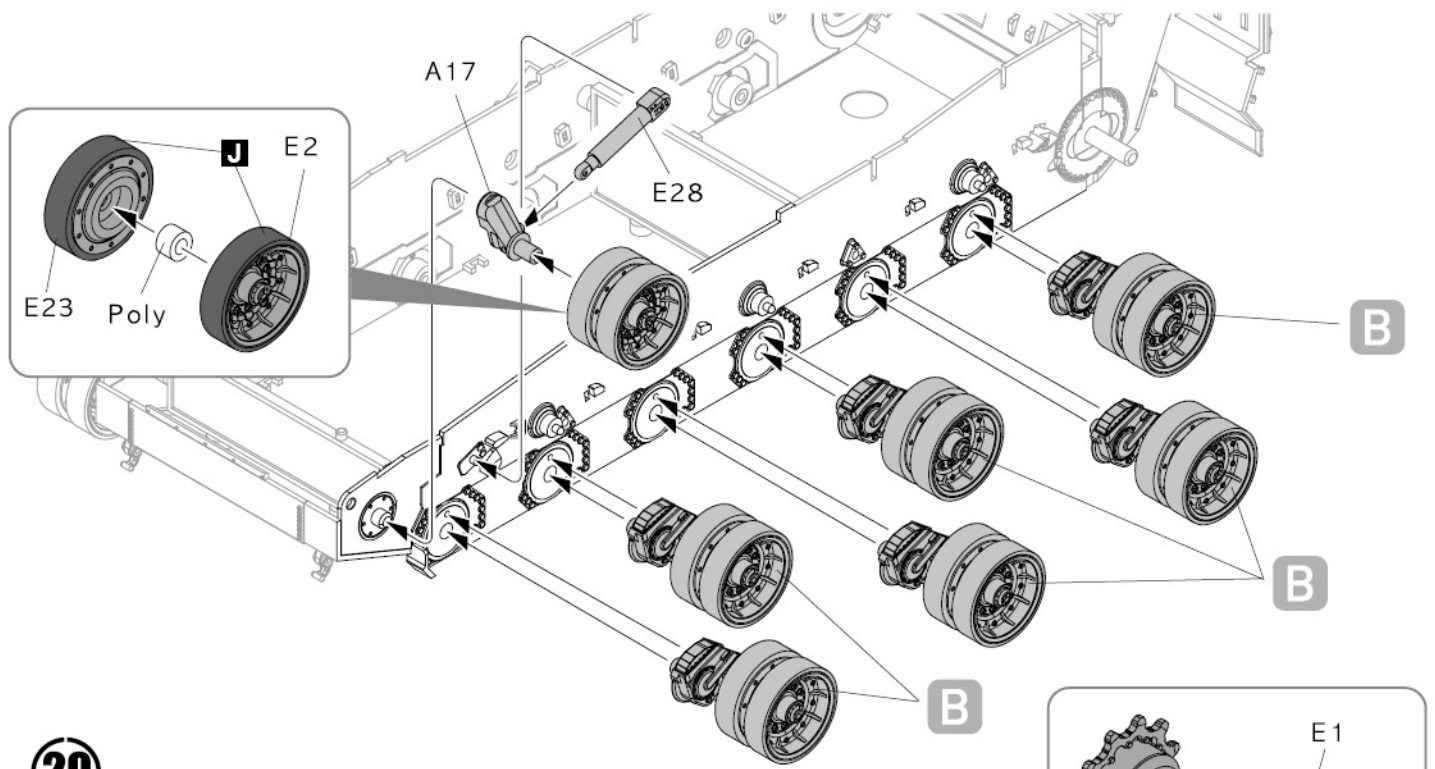


18

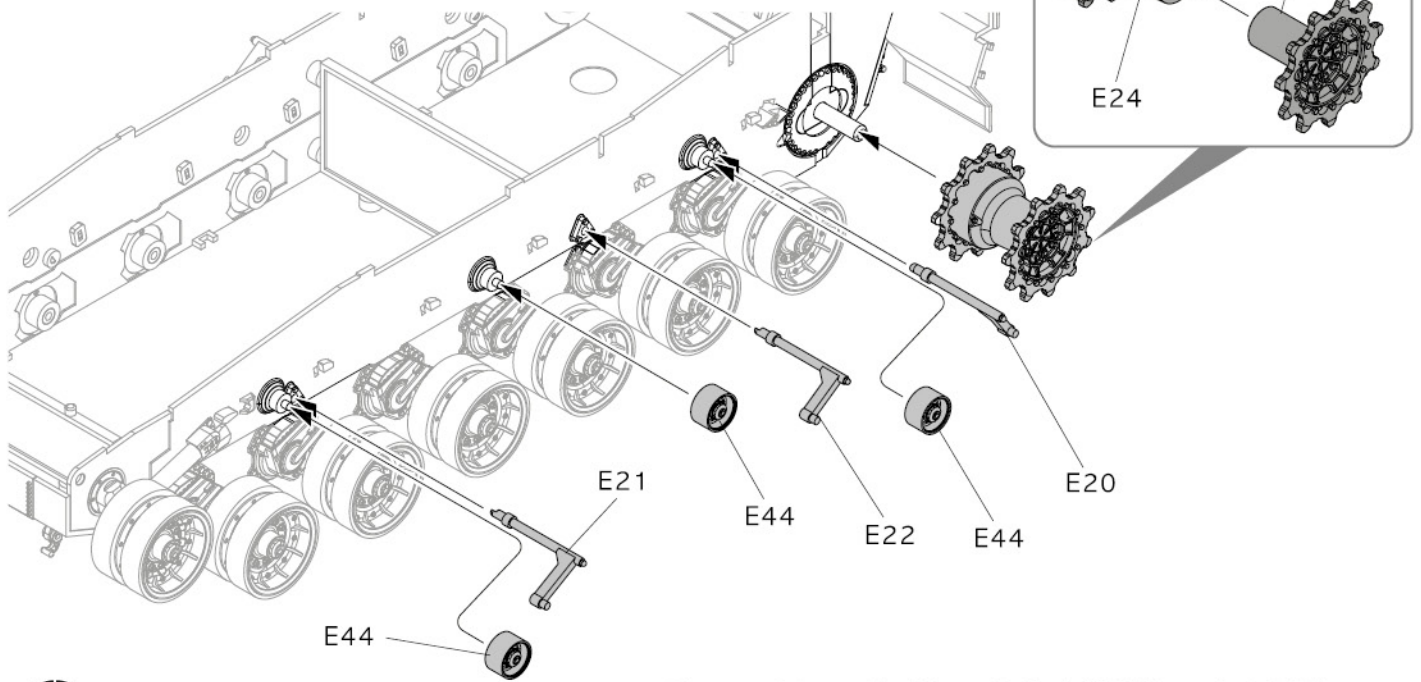


19

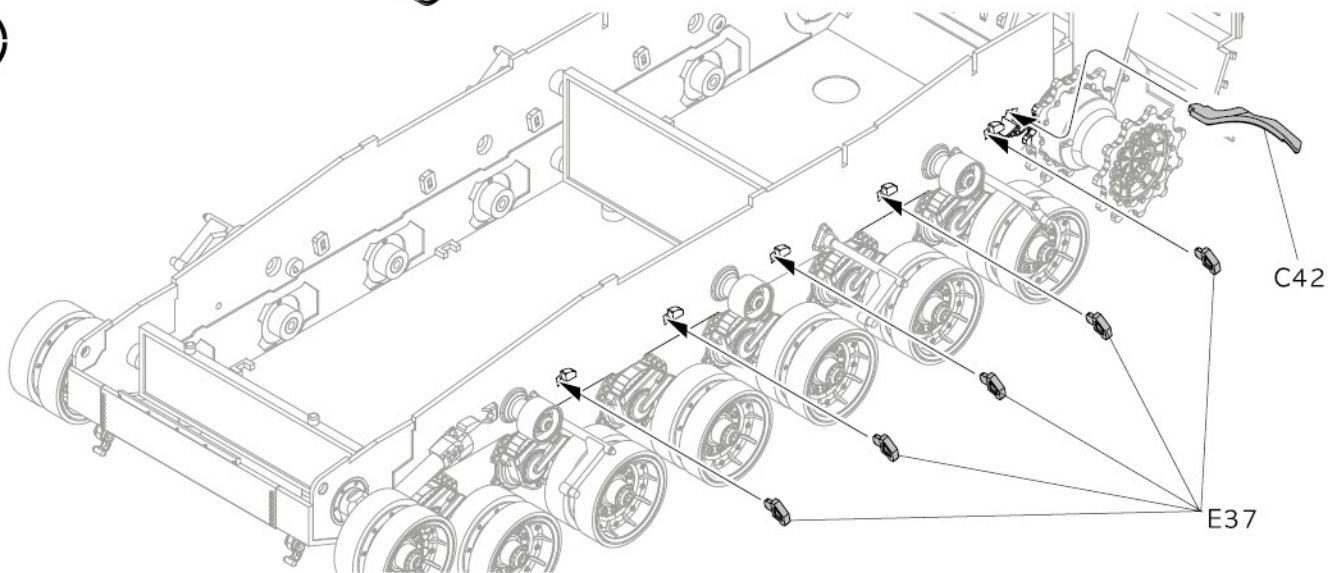




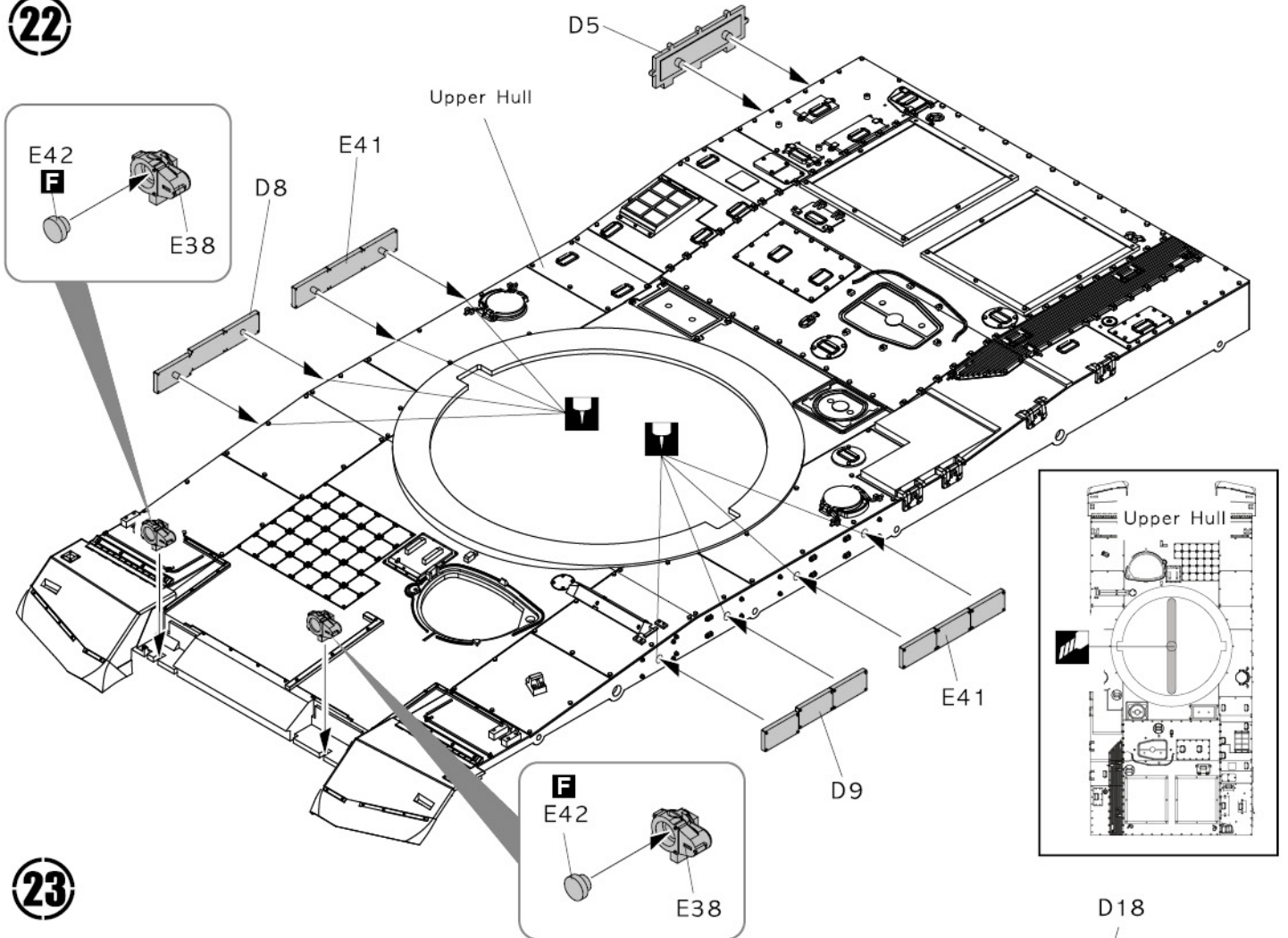
20



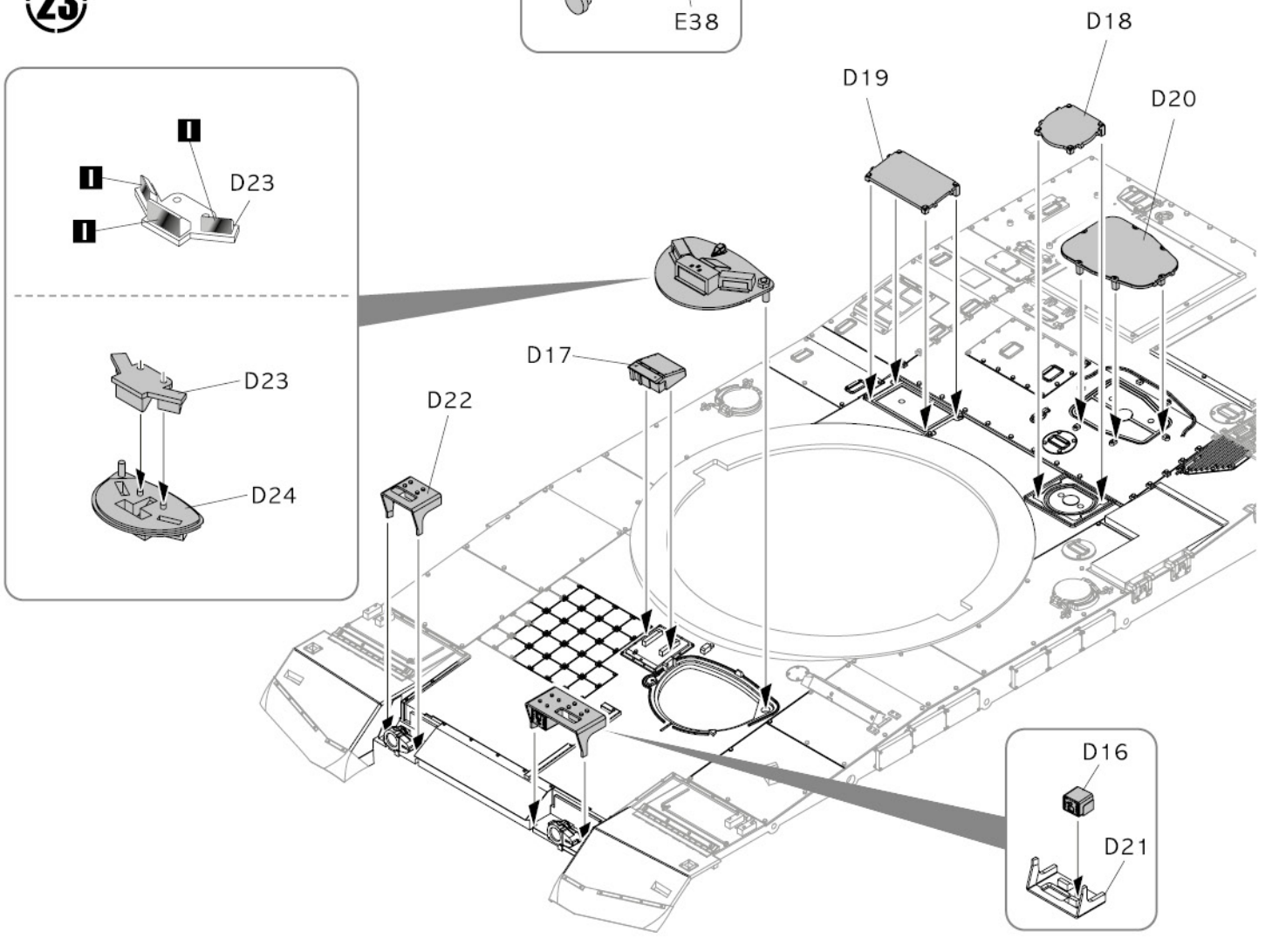
21



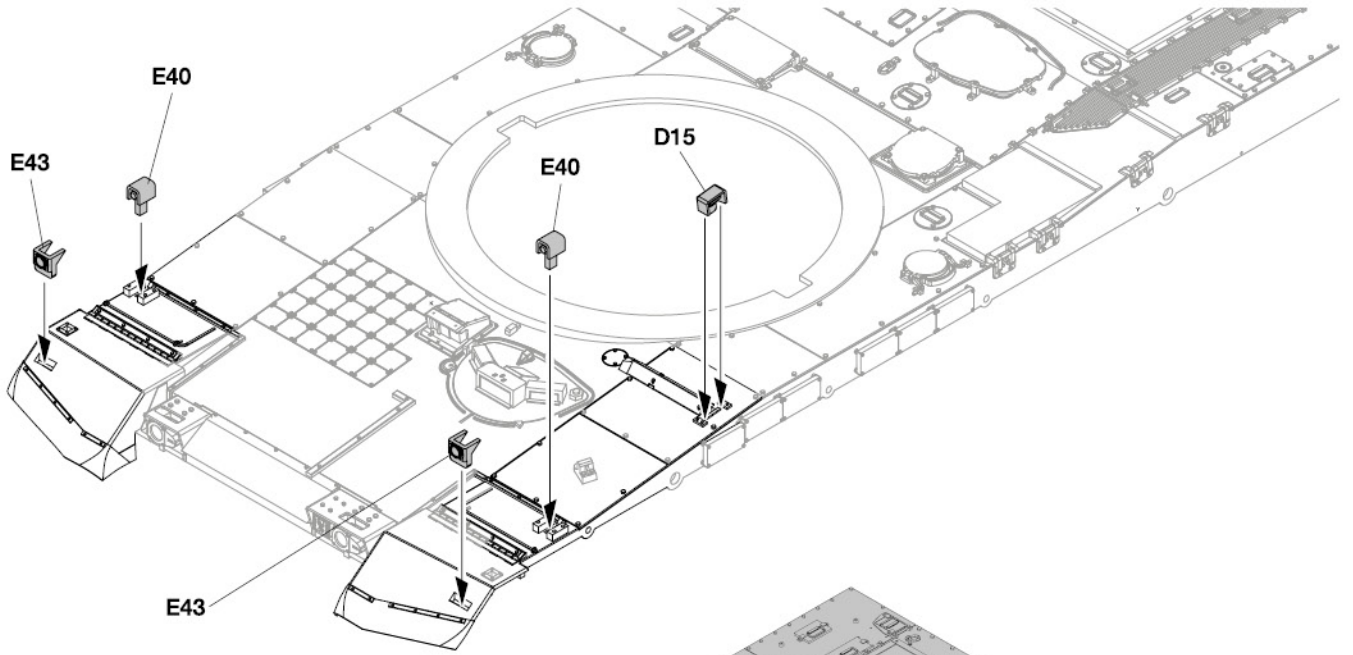
22



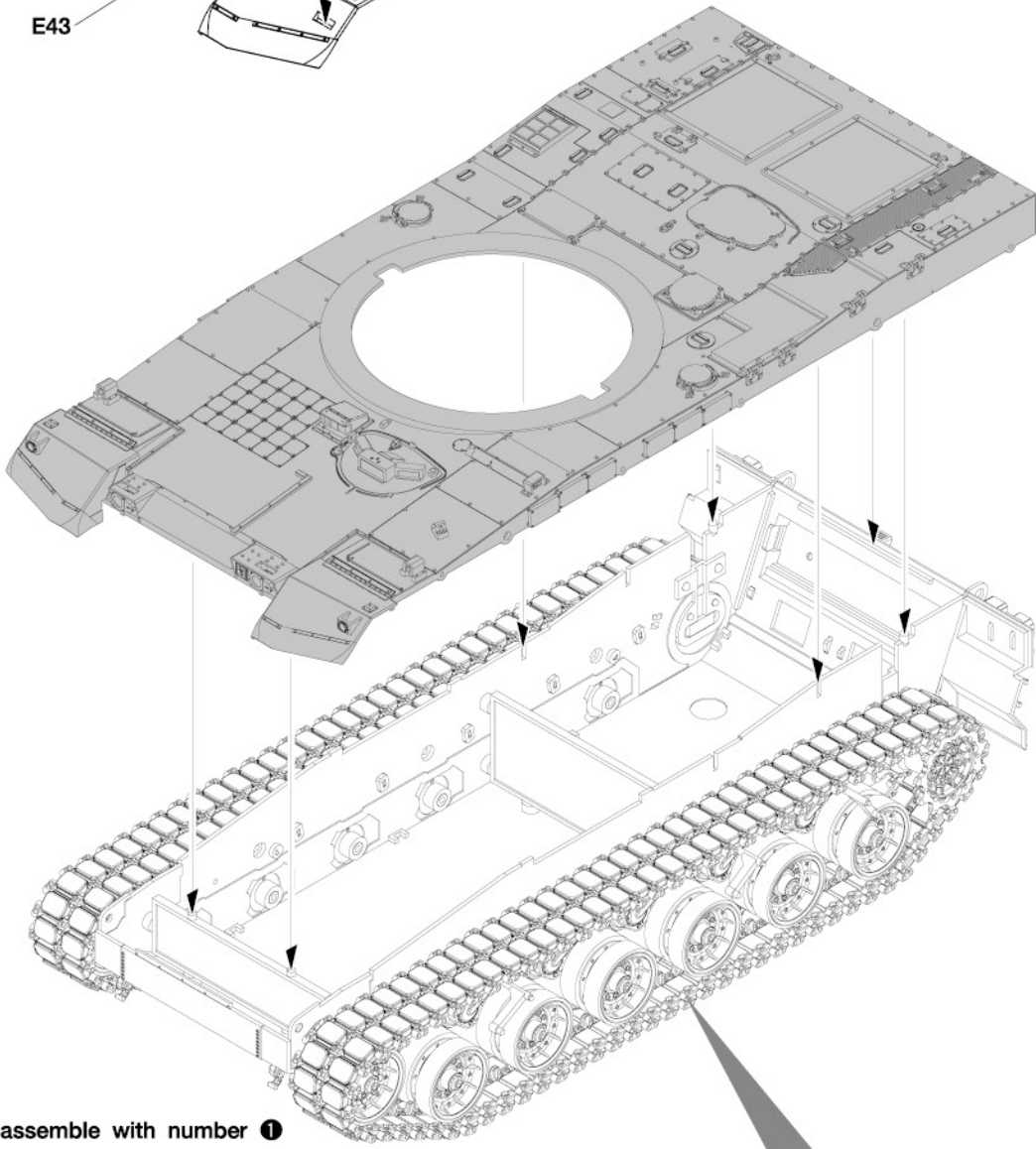
23



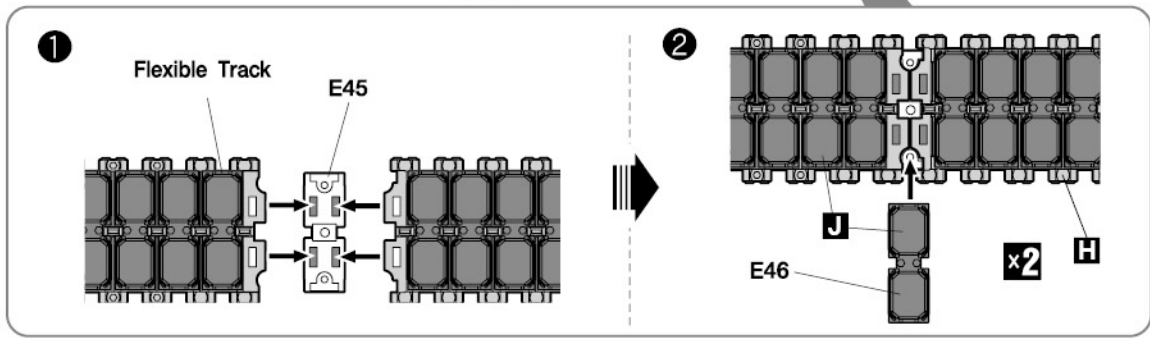
24



25

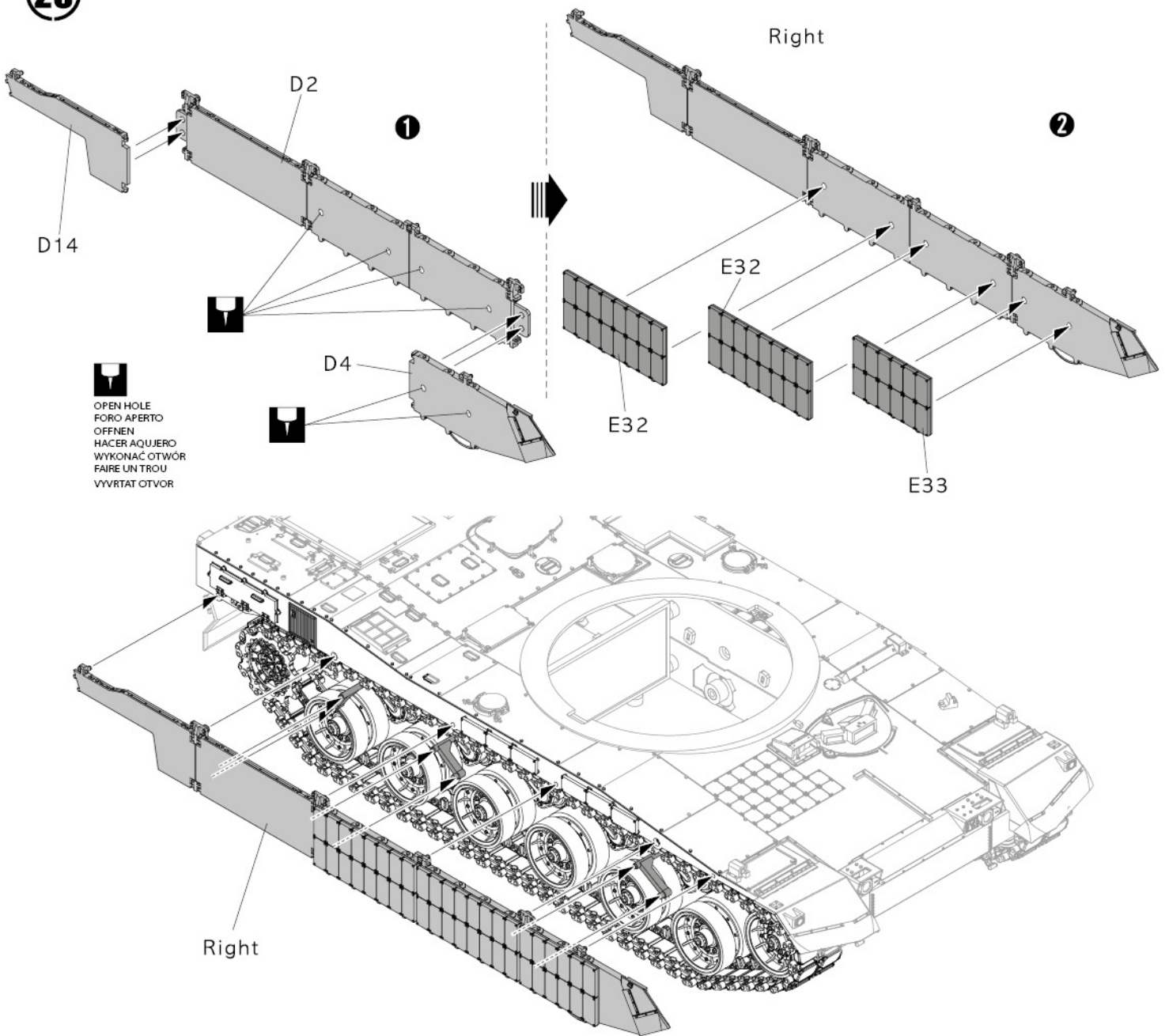


※ Start assemble with number ①



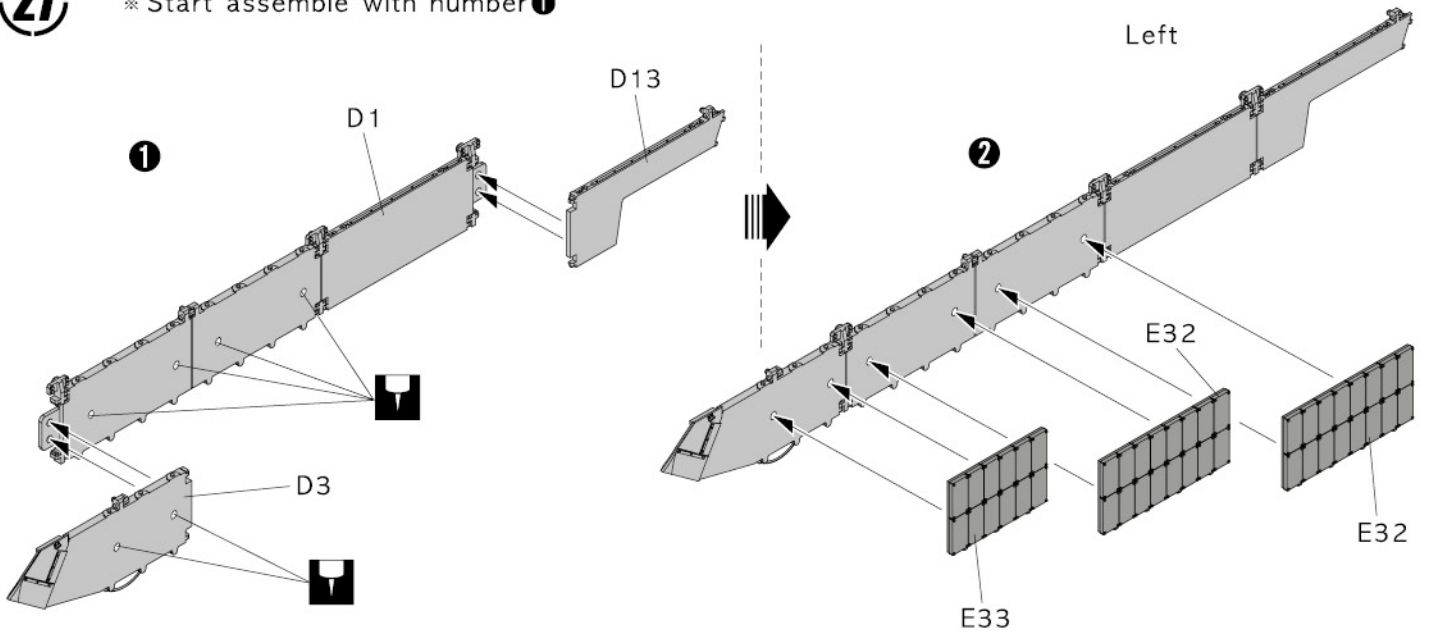
26

※ Start assemble with number ❶

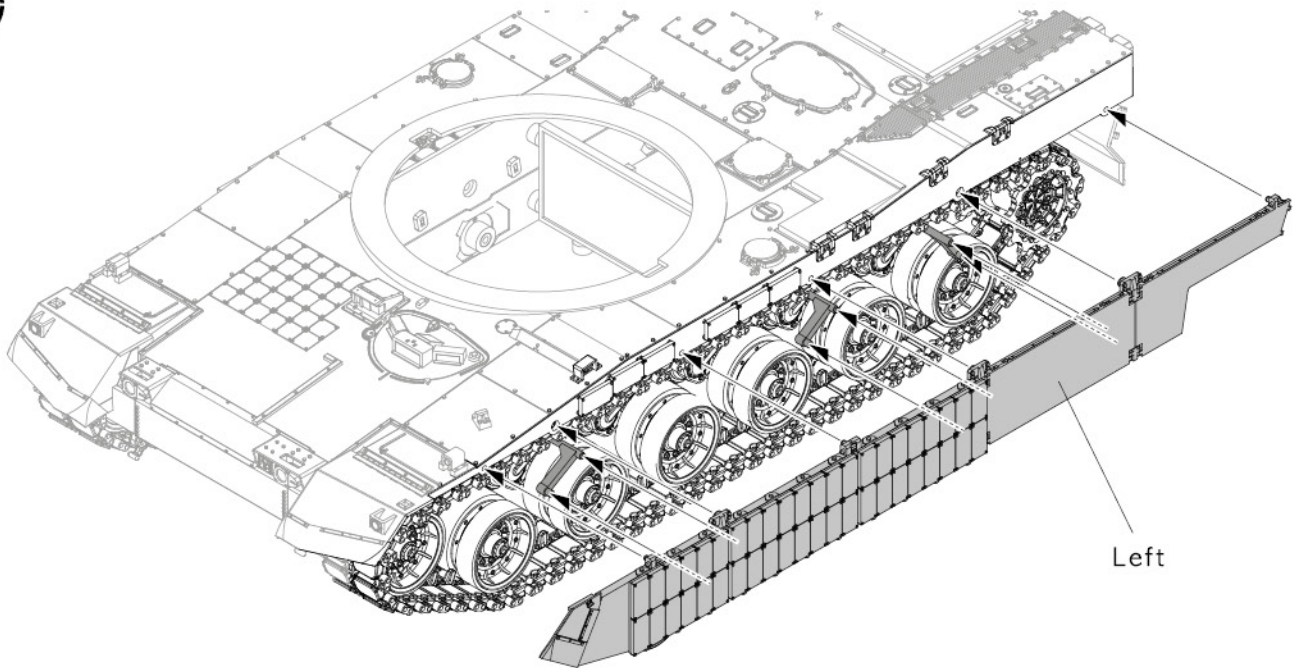


27

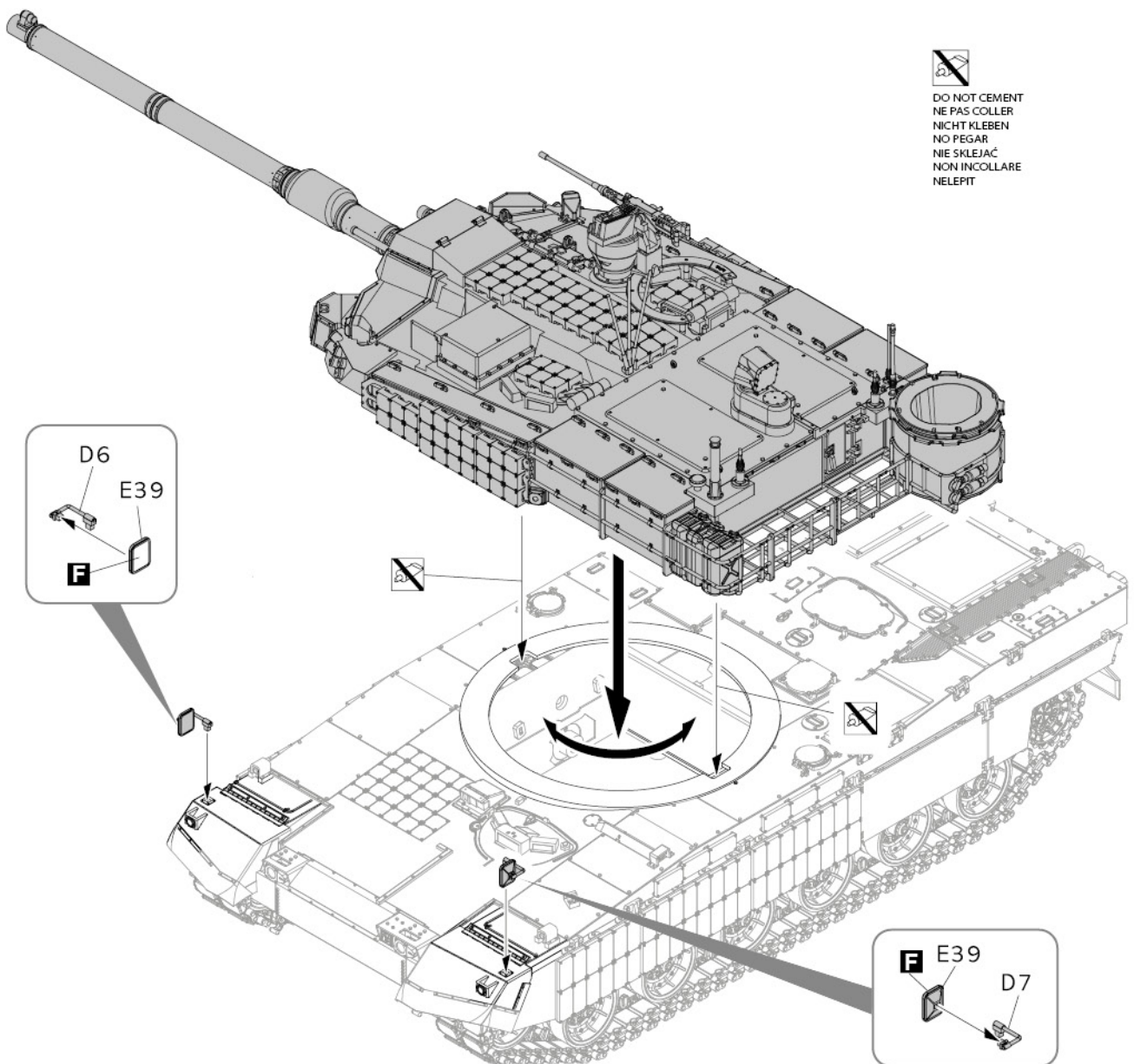
※ Start assemble with number ❶



28

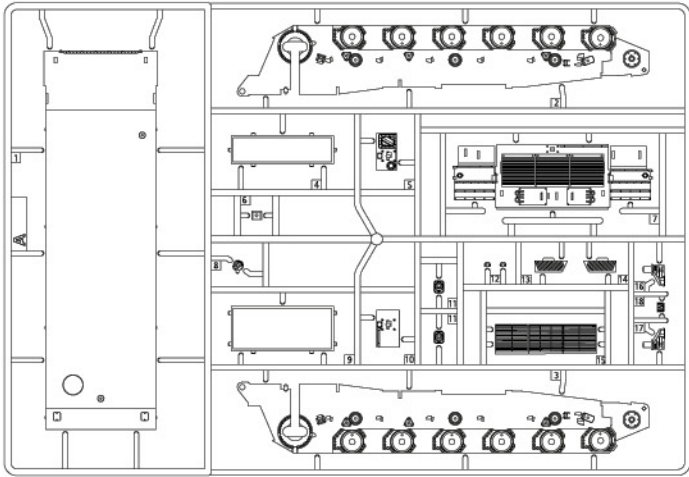


29

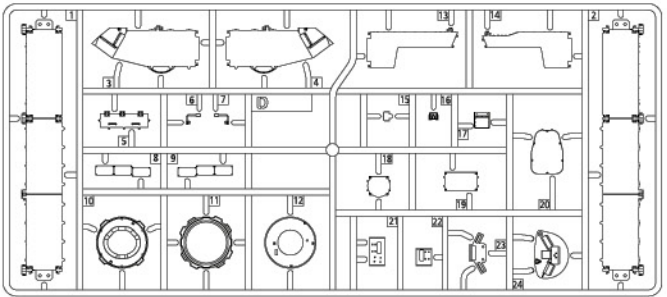


PARTS

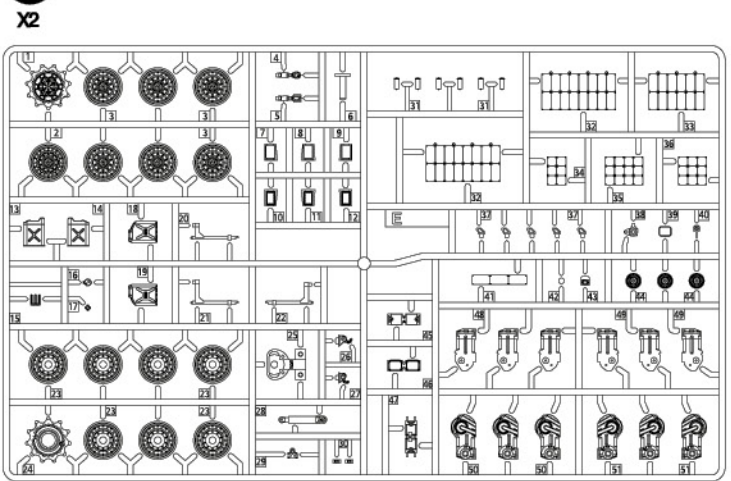
A



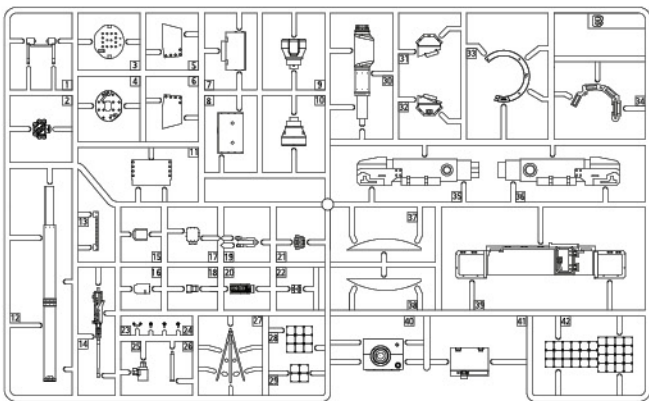
D



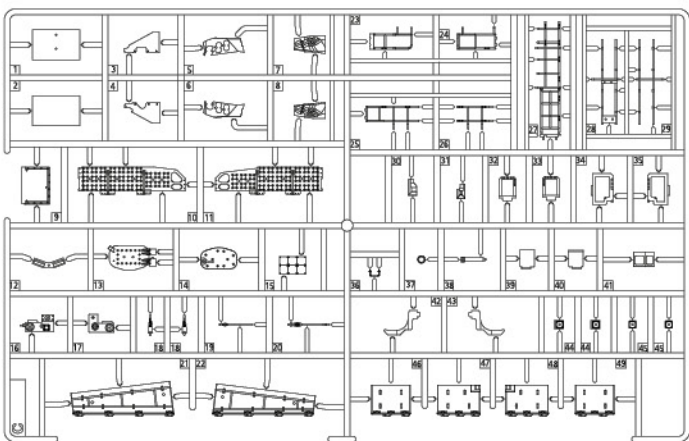
E



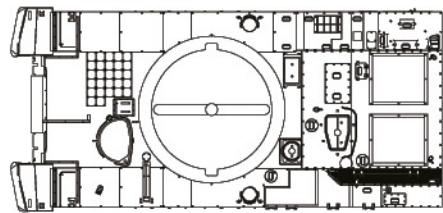
B



C

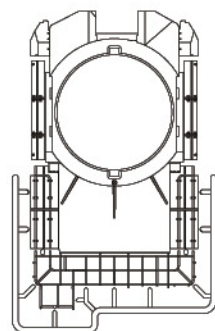
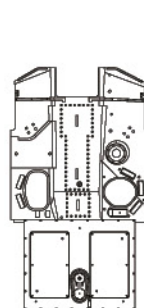


Upper Hull

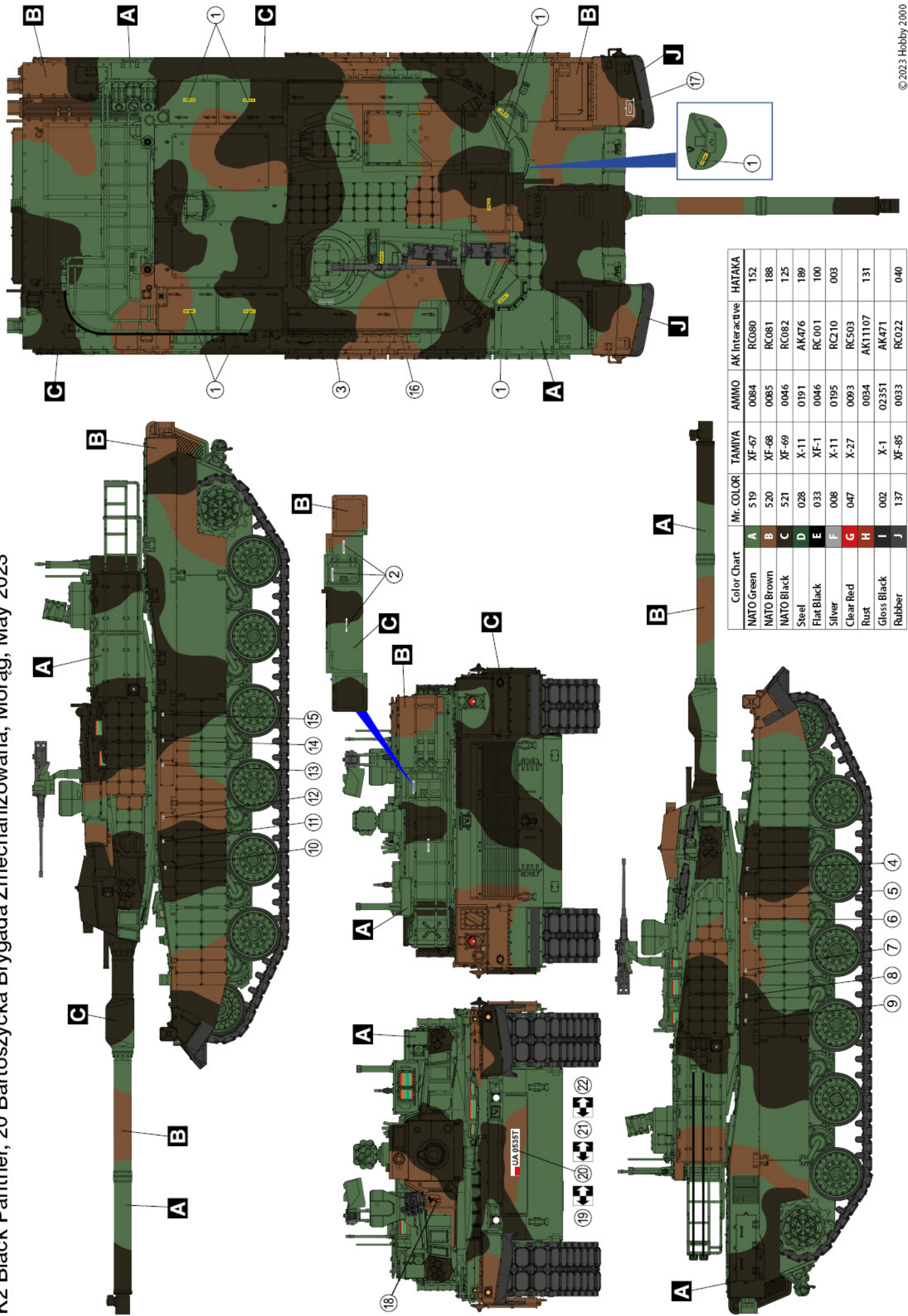


Turret(Upper)

Turret(Lower)



K2 Black Panther, 20 Bartoszycka Brygada Zmechanizowana, Morąg, May 2023



| Color Chart | Mr. COLOR | TAMIYA | AMMO | AK Interactive | HATAKA |
|-------------|-----------|--------|-------|----------------|--------|
| NATO Green | A 519 | XF-67 | 0084 | RC080 | 152 |
| NATO Brown | B 520 | XF-68 | 0085 | RC081 | 188 |
| NATO Black | C 521 | XF-69 | 0046 | RC082 | 125 |
| Steel | D 028 | X-11 | 0191 | AK476 | 189 |
| Flat Black | E 033 | XF-1 | 0046 | RC001 | 100 |
| Silver | F 008 | X-11 | 0195 | RC210 | 003 |
| Clear Red | G 047 | X-27 | 0093 | RC503 | |
| Rust | H 002 | X-1 | 0034 | AK11107 | 131 |
| Gloss Black | I 002 | X-1 | 02351 | AK471 | |
| Rubber | J 137 | XF-85 | 00333 | RC022 | 040 |