

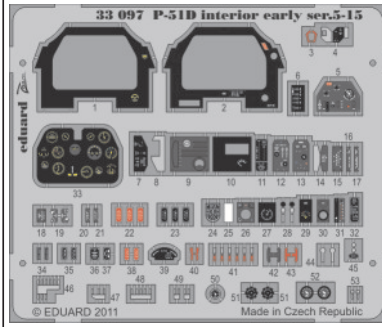


P-51D interior early ser.5-15 S.A.



33 097

1/32 scale detail set for Tamiya kit • sada detailů pro model Tamiya 1/32

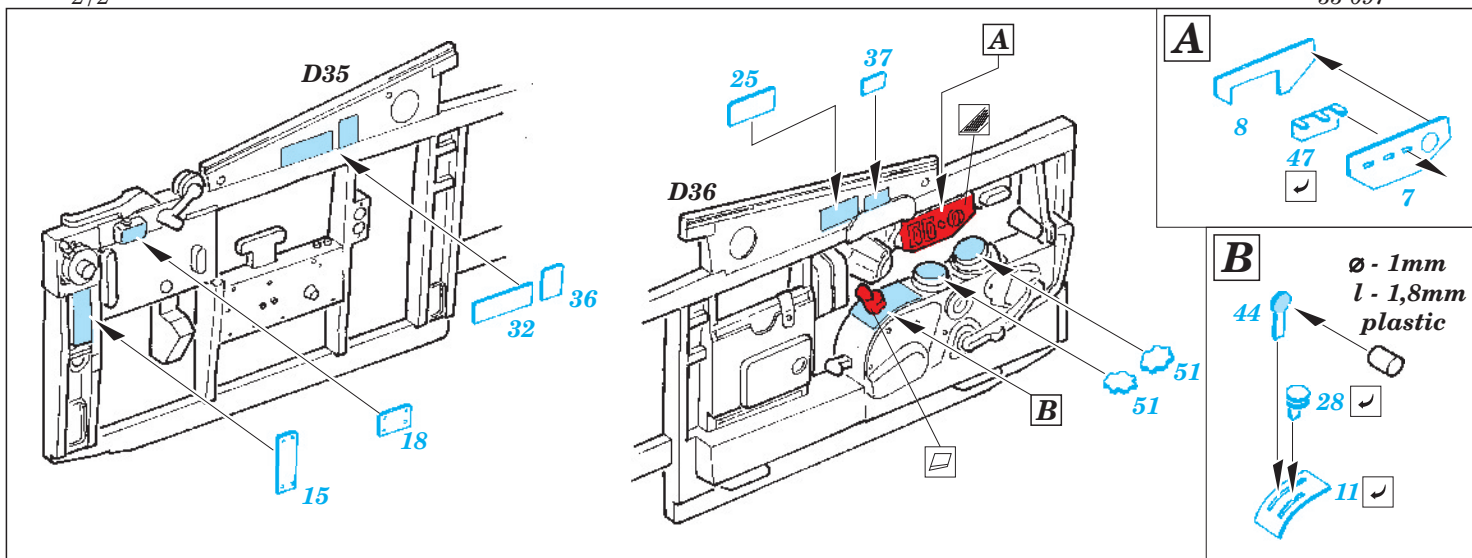


- SYMMETRICAL ASSEMBLY
SYMETRICKÁ MONTÁŽ
- REMOVE
ODSTRANIT
- BEND
OHNOUT
- REPLACE
NAHRADIT
- GRIND
OBROUSIT
- OPTION
VOLBA

 ORIGINAL KIT PARTS
PŮVODNÍ DÍLY STAVEBNICE
 PHOTO-ETCHED PARTS
LEPTANÉ DÍLY
 PARTS TO BE REMOVED
DÍLY K ODSTRANĚNÍ
 FILL
TMELIT

The main assembly diagrams are organized into several panels:

- Top Left:** Shows the main instrument panel assembly (D31) with photo-etched parts (1, 2, 3, 6, 42, 45, 48) and original kit parts (33, 34, 40, 24, 43, 30, 29). A red area indicates parts to be removed (D31).
- Top Right:** Shows the battery assembly (D43) with photo-etched parts (22, 23) and original kit parts (50, D15).
- Middle Left:** Shows the control panel assembly (D48) with photo-etched parts (41, 5) and original kit parts (3 pcs.).
- Middle Center:** Shows the lower instrument panel assembly (D23) with photo-etched parts (19, 52, 52).
- Middle Right:** Shows the side panel assembly (D1) with photo-etched parts (49, 12, 13) and original kit parts (D1).
- Bottom Left:** Shows the control panel assembly (D17) with photo-etched parts (10, 9, 14, 46, 20, 21, 16, 17) and original kit parts (L2).
- Bottom Center:** Shows the lower instrument panel assembly (L2) with photo-etched parts (53, 4) and original kit parts (4).
- Bottom Right:** Shows the battery assembly (D6, D13) with photo-etched parts (39) and original kit parts (D6, D13).
- Bottom Far Right:** Shows the battery assembly (D11) with photo-etched parts (31, 35, 38) and original kit parts (D11).



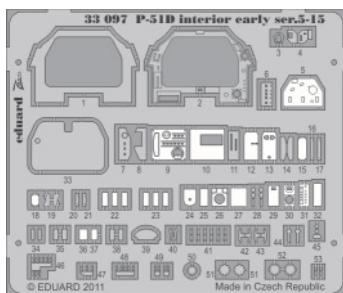
For further detail sets look for **eduard** 32 731 P-51 seatbelts
(not included in this set)

For further detail sets look for **eduard** 32 302 P-51D exterior
(not included in this set)

For further detail sets look for **eduard** 32 307 P-51D engine
(not included in this set)

For further detail sets look for **eduard** 32 732 P-51D gun bay early
(not included in this set)

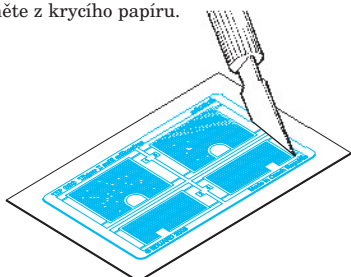
PARTS WITH GLUE • DÍLY OPATŘENÉ LEPIDLEM



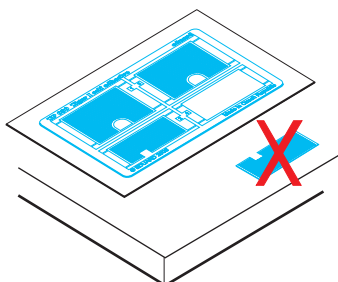
- Do not touch the adhesive areas of the etched components.
- Nesahejte na části dílů, na kterých je naneseno lepidlo.



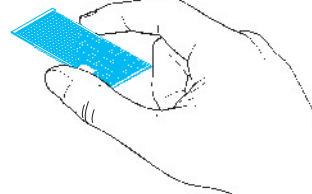
- Separate the etched components from their frames on the protective paper. Removal from the paper is done only after separation of the parts from the frames.
- Samolepicí díly oddělujte od rámečku na podkladovém papíře. Po oddělení je sejměte z krycího papíru.



- Do not inadvertently place etched components on an unwanted surface. Attempts to remove will result in damage to your part.
- Nepokládejte samolepicí díly na volné plochy. Pokud je omylem přilepíte, při pokusu o odlepení dojde k poškození dílu.



- Hold the parts by the edges, or at areas free of adhesive.
- Samolepicí díly berte za hrany nebo za části, na kterých není nanesené lepidlo.



- Lightly place the component in the desired location and position. Adjust as required. The component will be permanently affixed when pressed onto its intended location, its location can be adjusted.
- Díl lehce položte do pozice, ve které má být nalepen. Upravte přesnou pozici a přimáčkněte. Díl dokonale přilne až po přimáčknutí, před přimáčknutím lze dílem opatrně manipulovat.

