

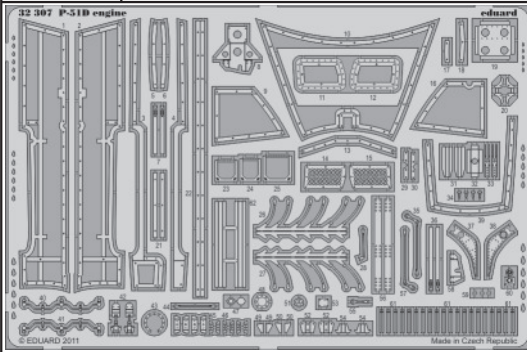


# P-51D engine

eduard

32 307

1/32 scale detail set for TAMIYA kit • sada detailů pro model 1/32 TAMIYA



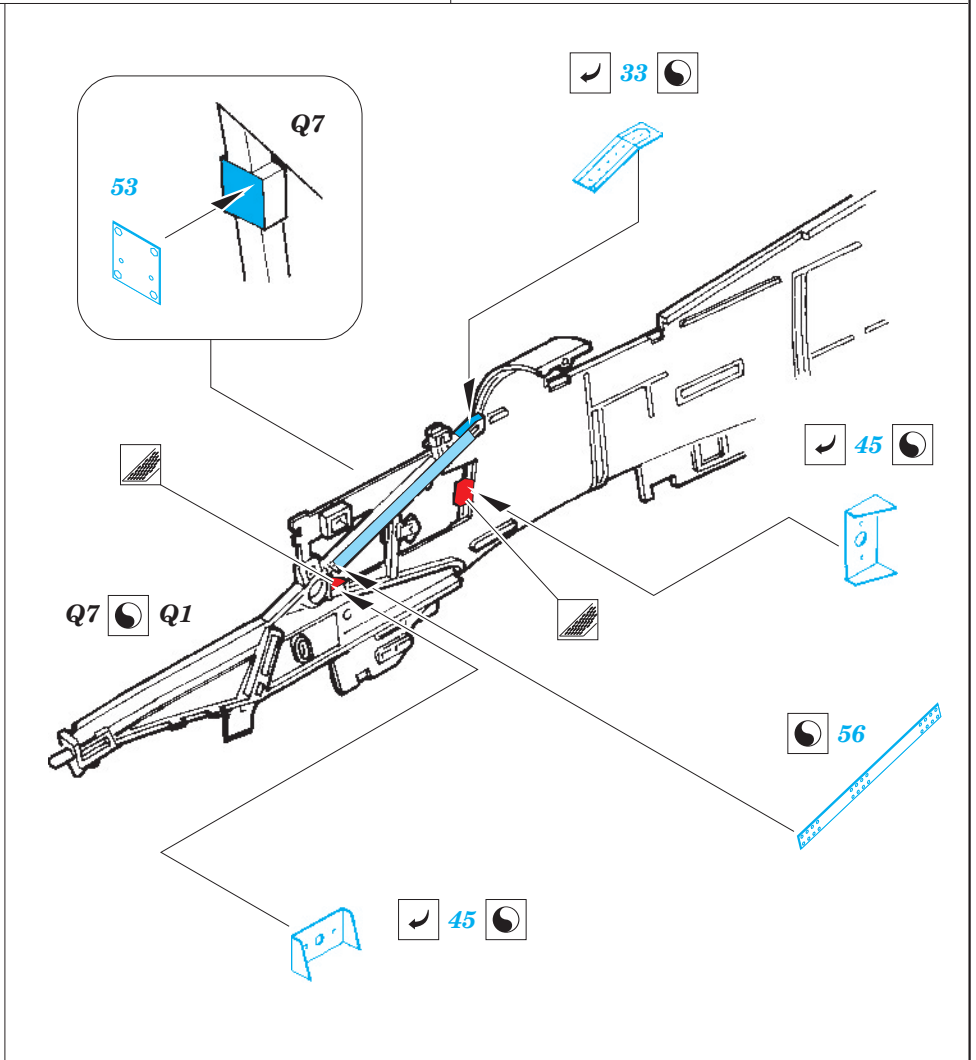
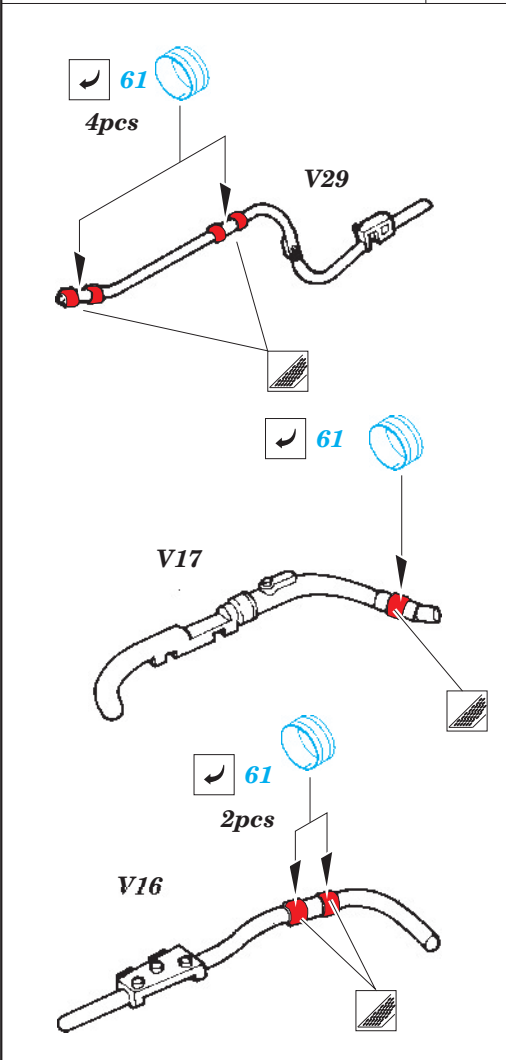
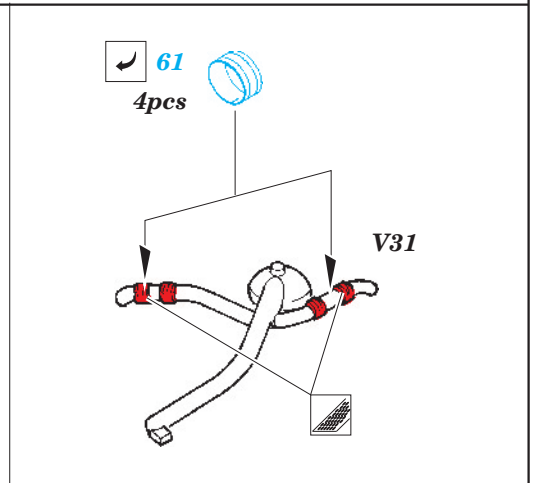
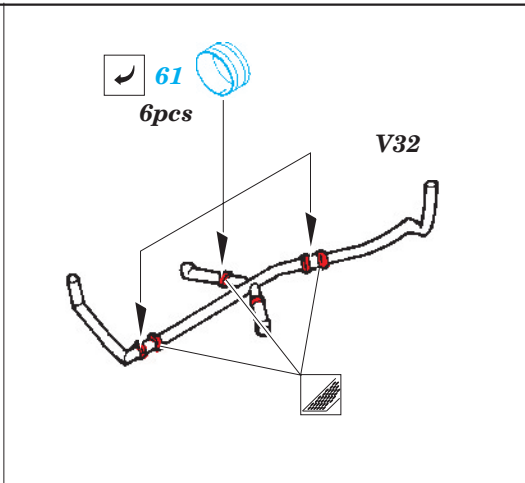
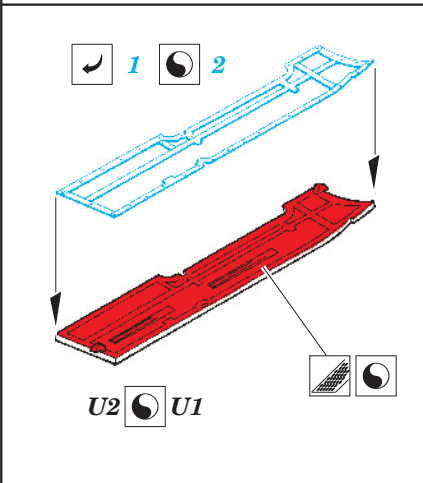
- ★ APPLY EXPRESS MASK AND PAINT BEFORE GLUING  
POUŽIT EXPRESS MASK NABARVIT PŘED SLEPENÍM
- ☉ SYMETRICAL ASSEMBLY  
SYMETRICKÁ MONTÁŽ
- REMOVE  
ODSTRANIT
- ▨ GRIND  
OBROUSIT
- ⊘ DRILL HOLE  
VRTAT OTVOR
- ↪ BEND  
OHNOUT
- ? OPTION  
VOLBA
- Ⓜ REPLACE  
NAHRADIT

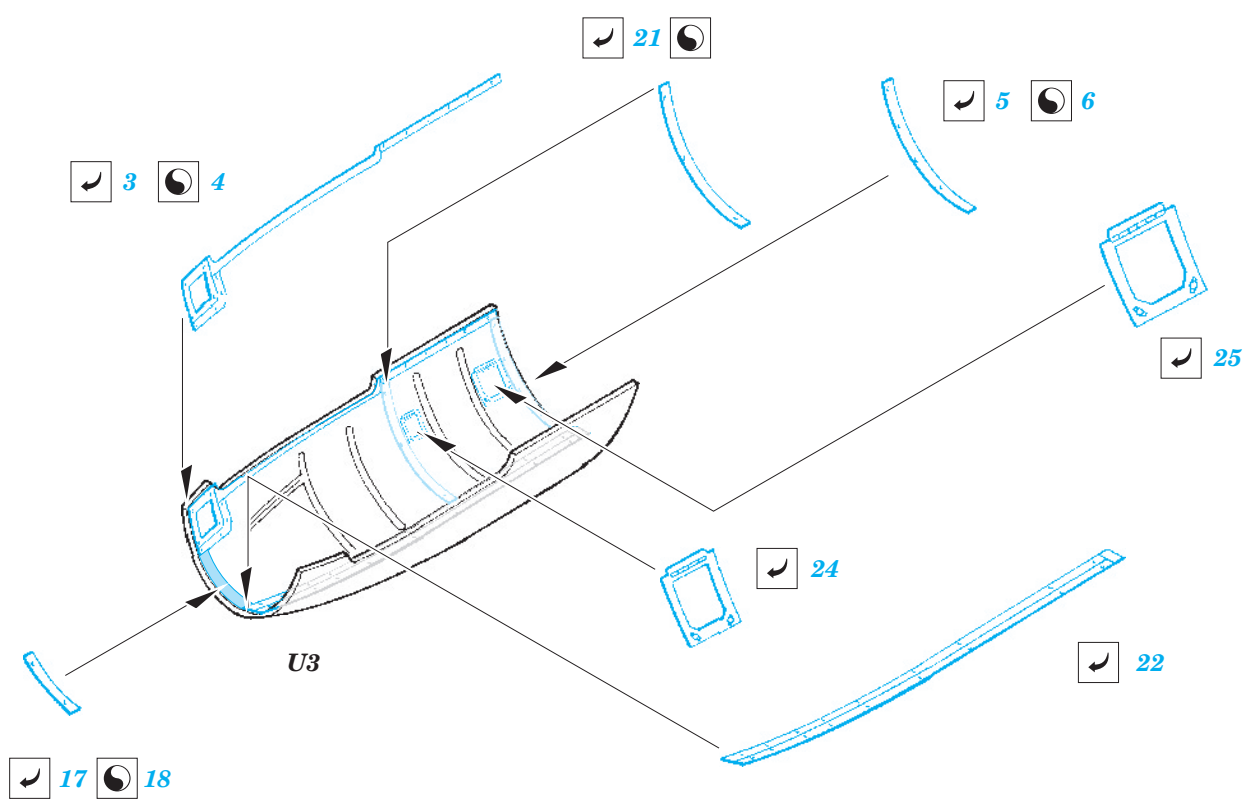
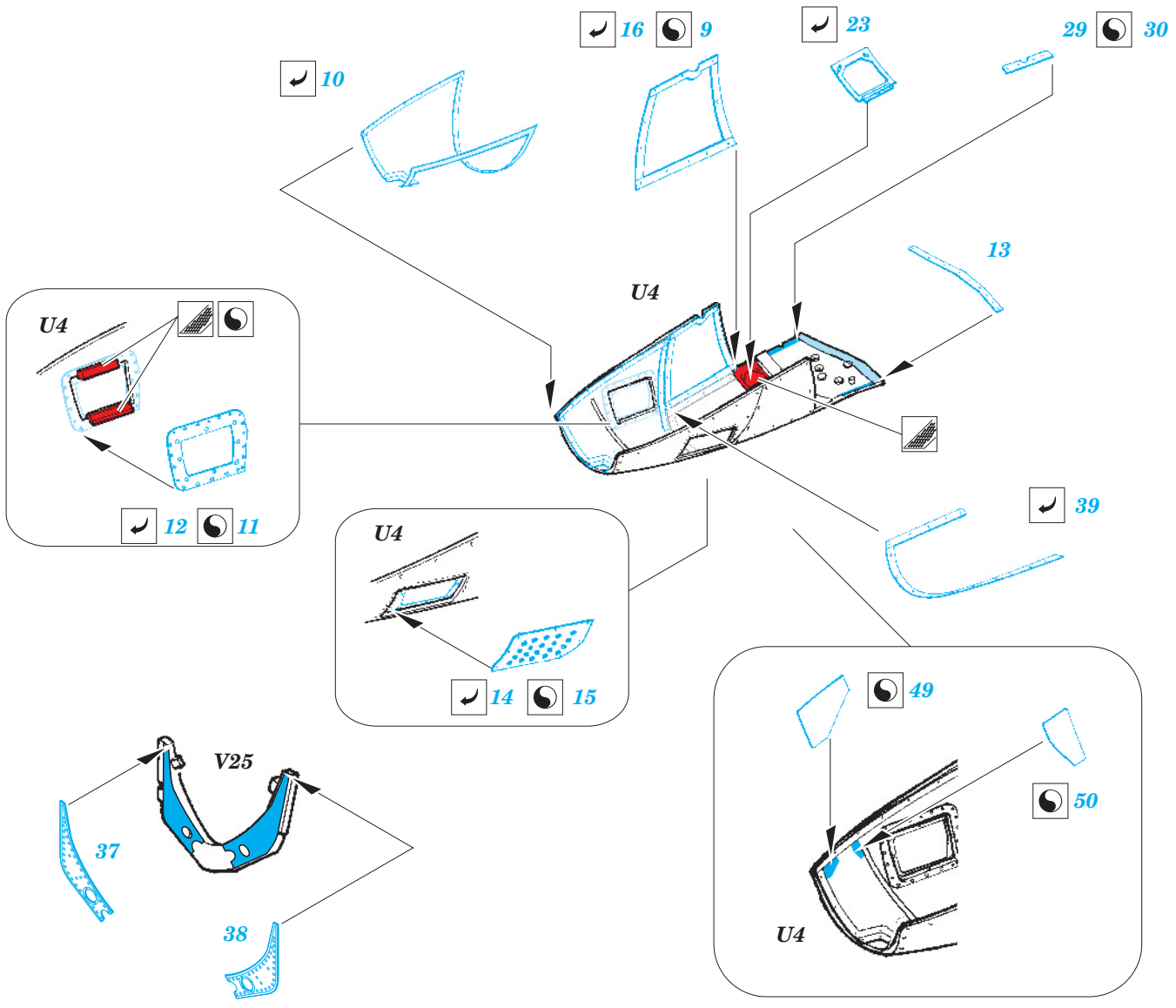
ORIGINAL KIT PARTS  
PŮVODNÍ DÍLY STAVEBNICE

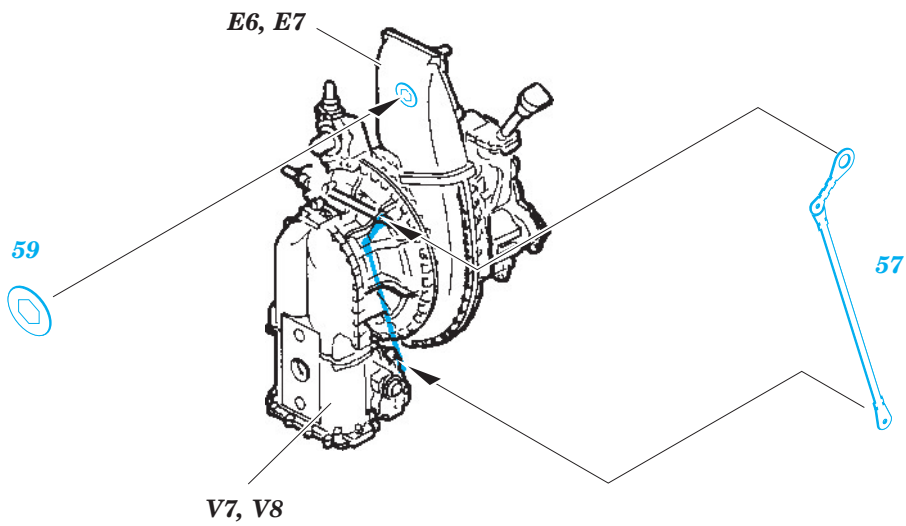
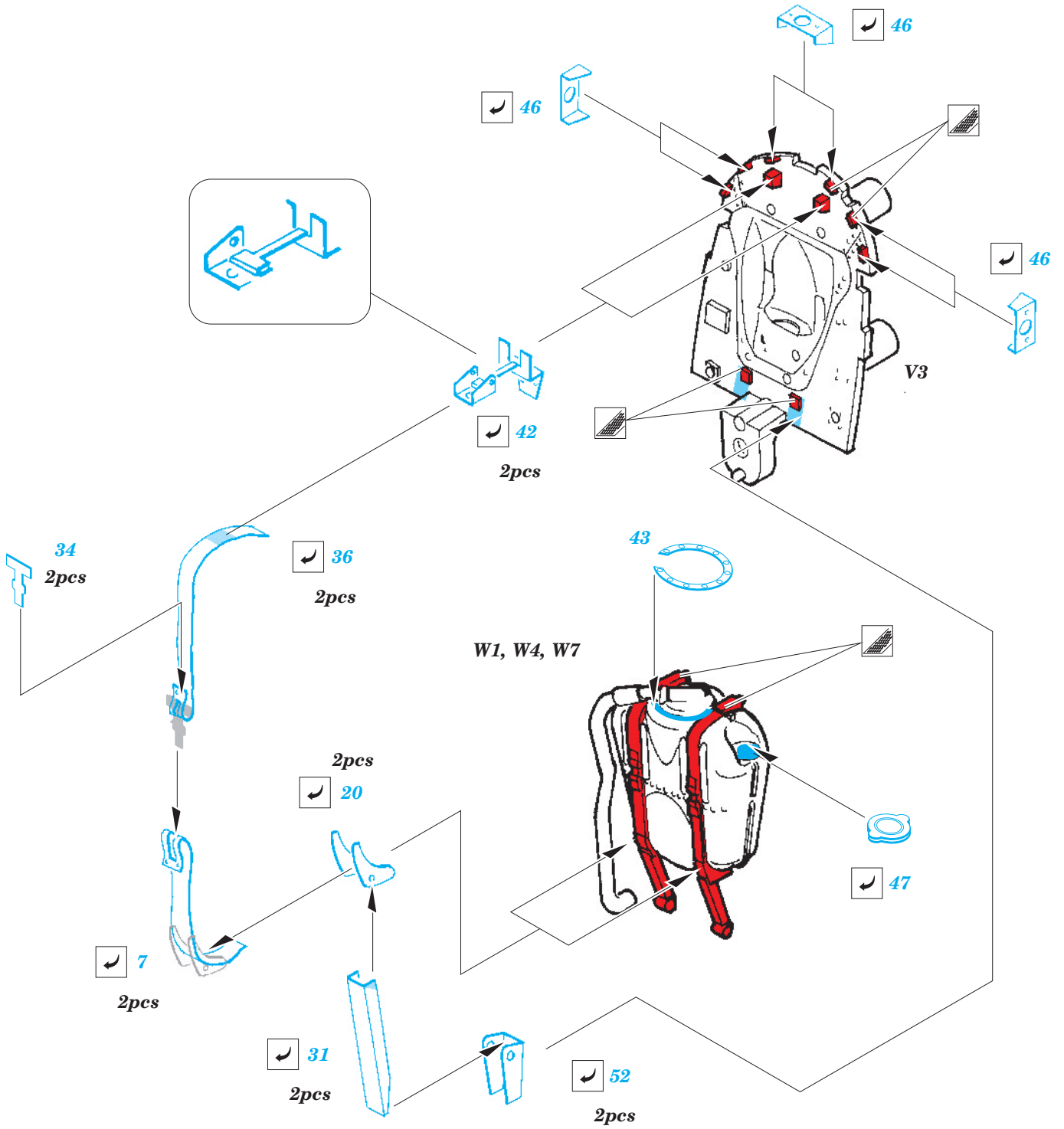
PHOTO-ETCHED PARTS  
LEPTANÉ DÍLY

PARTS TO BE REMOVED  
DÍLY K ODSTRANĚNÍ

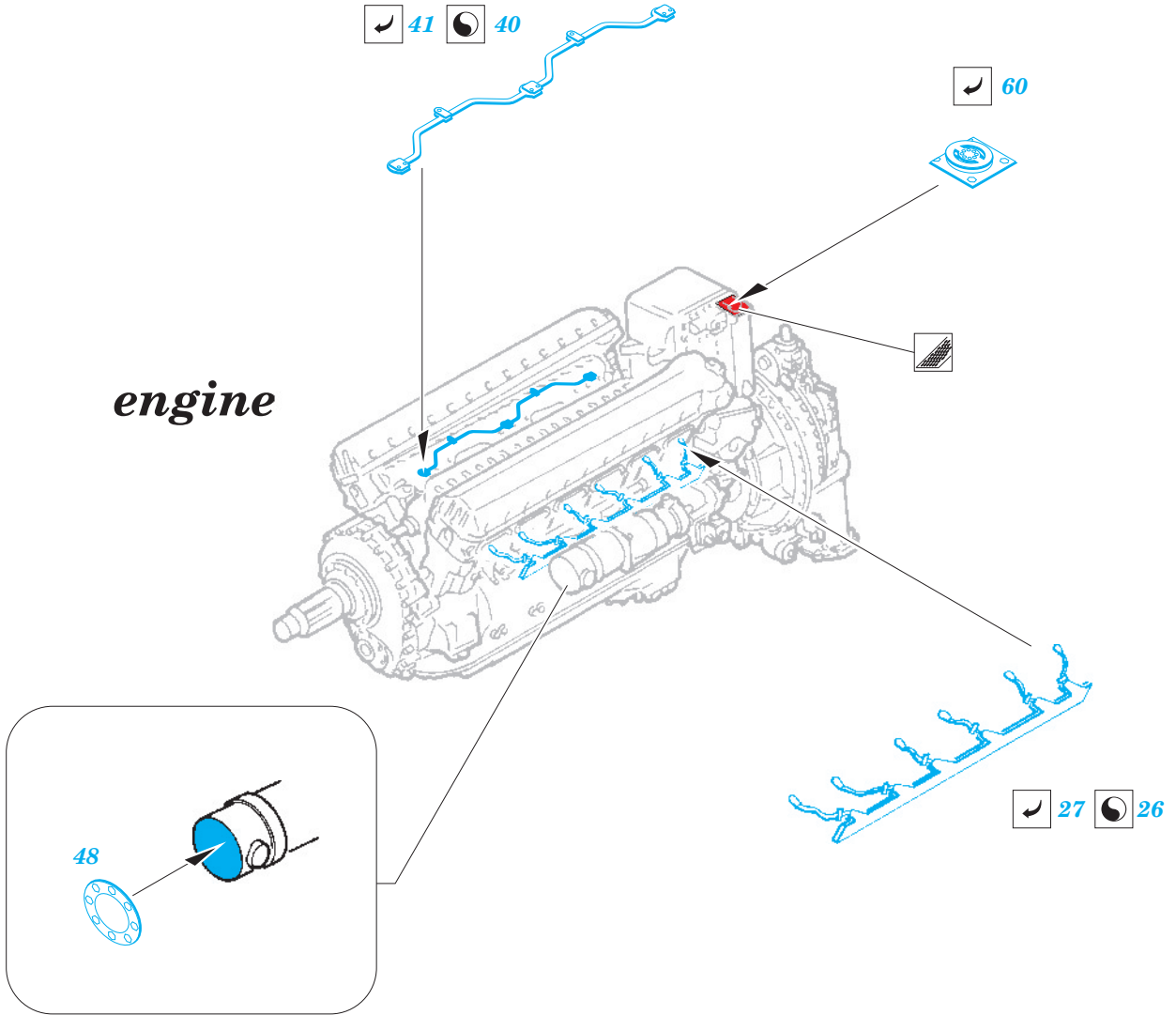
FILL  
TMELIT



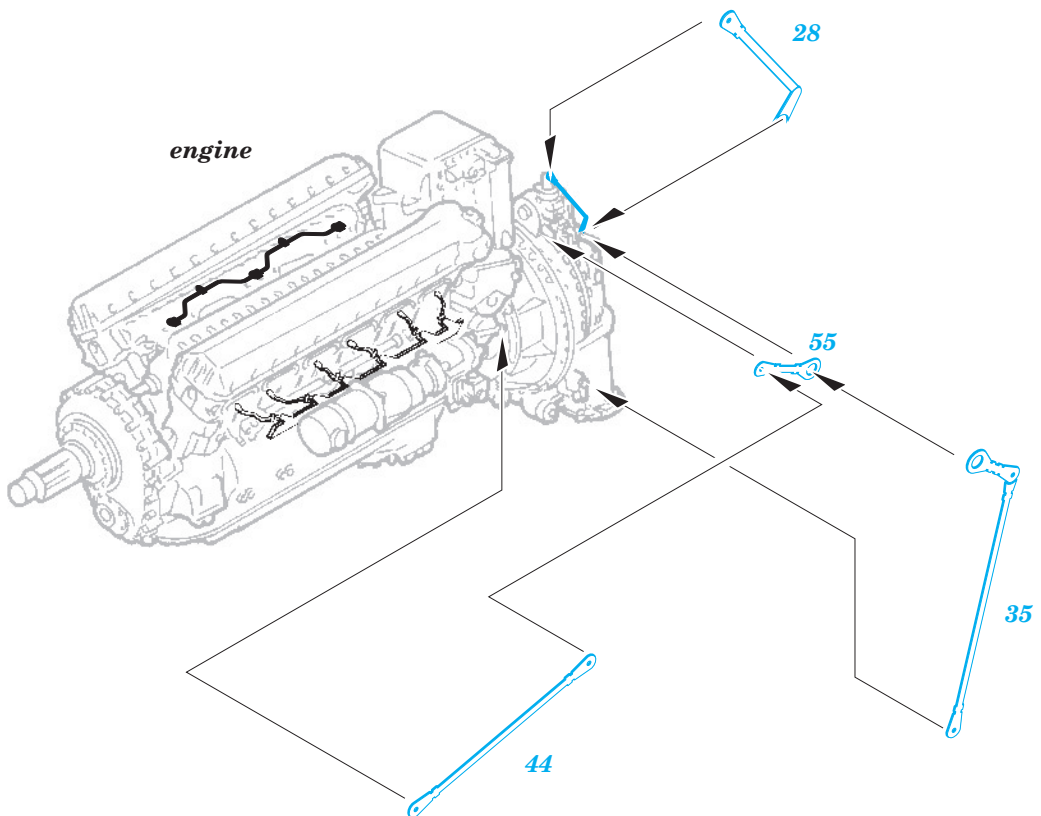




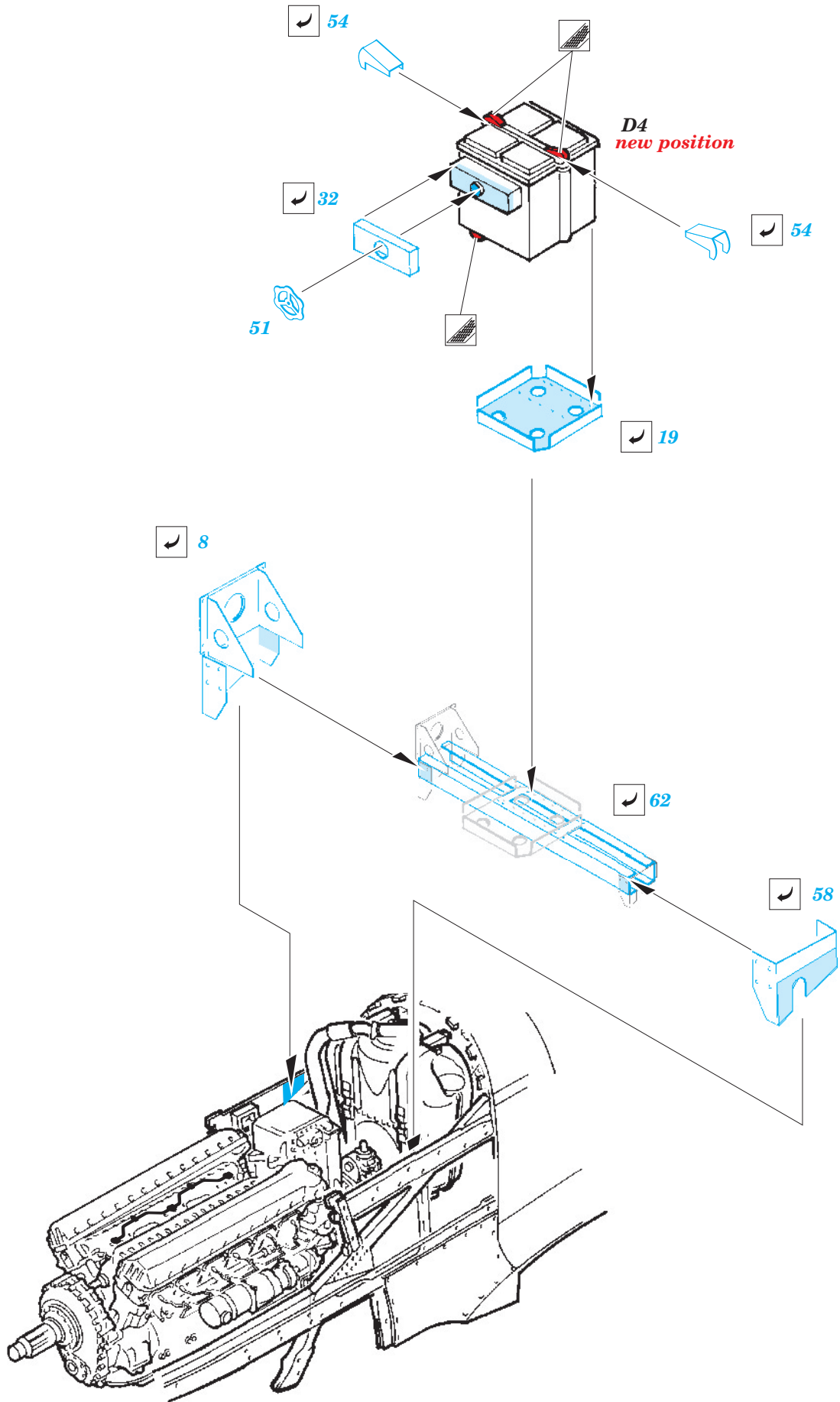
*engine*



*engine*

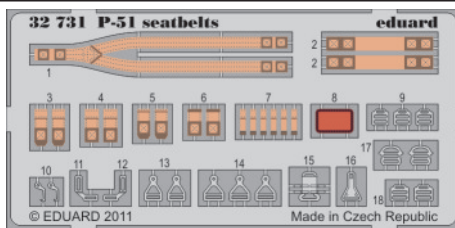


# Two seat warbird +AN/APS-13 (part B8) option

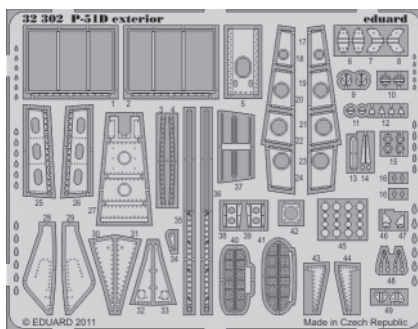




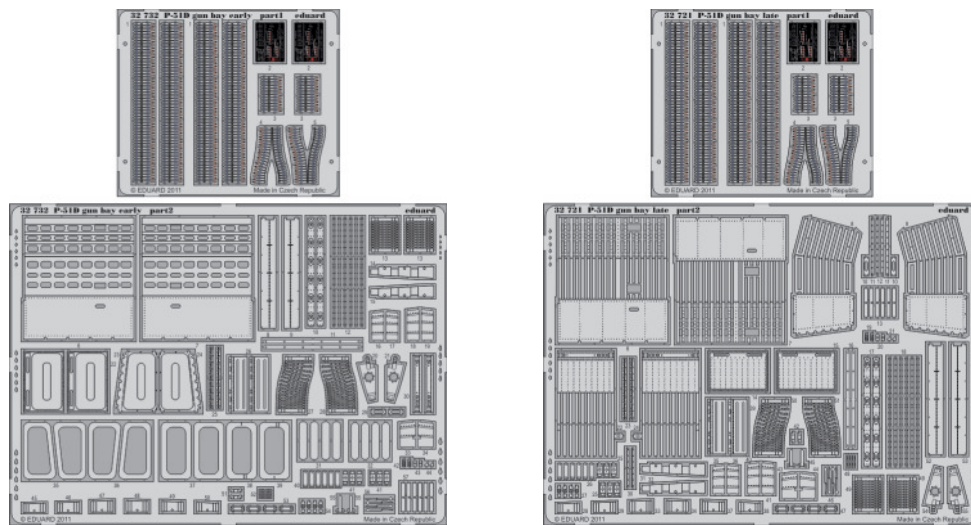
*For further detail sets look for **eduard** 32 731 P-51 seatbelts (not included in this set)*



*For further detail sets look for **eduard** 32 302 P-51D exterior (not included in this set)*



*For further detail sets look for **eduard** 32 732 P-51D gun bay early and 32 721 P-51D gun bay late (not included in this set)*



*For further detail sets look for **eduard** 32 715 P-51D interior late ser.20-35 (not included in this set)*

